



# Rocky Mountain Snow Guards Inc

ROCKY MOUNTAIN SNOW GUARDS  
4231 S NATCHES CT., UNIT C  
ENGLEWOOD, CO 80110  
PHONE: (877) 414-7606  
FAX: (720) 387-8361  
[www.rockymountainsnowguards.com](http://www.rockymountainsnowguards.com)

## RG16 SNOW GUARD SYSTEM

### AVAILABLE MATERIALS:

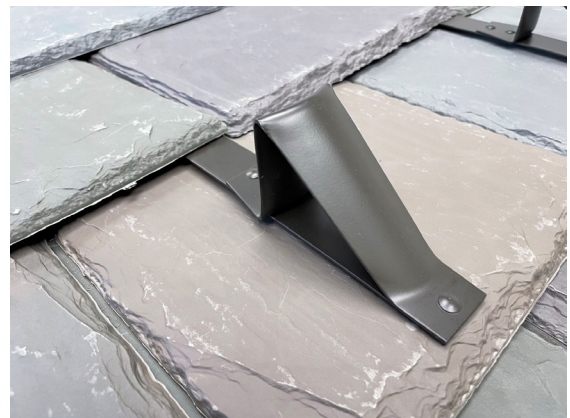
- COPPER
- POWDER COATED STEEL



### INFORMATION:

- Ultra - Strong gusset design.
- Pre - Drilled strap allows for easy nail or screw fastening.
- Pad area is 4.28 square inches
- Overall length is 16", Strap length is 11.8"
- Excellent Choice for:
  - New Synthetic Slate and Shake
  - New Natural Slate and Shake

### EXAMPLES:





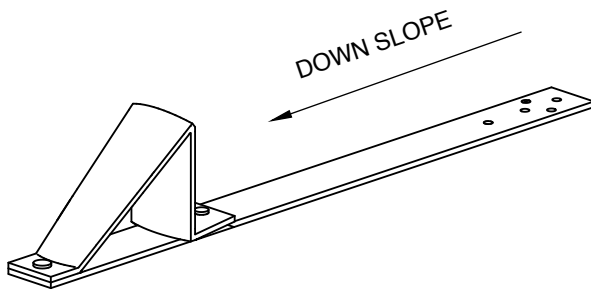
# Rocky Mountain Snow Guards Inc

ROCKY MOUNTAIN SNOW GUARDS  
4231 S NATCHES COURT, UNIT C  
ENGLEWOOD, CO 80110  
PHONE: (877) 414-7606  
FAX: (720) 387-8361  
www.rockymountainsnowguards.com

## RG16 SNOW GUARD

SELECT DESIRED MATERIAL:

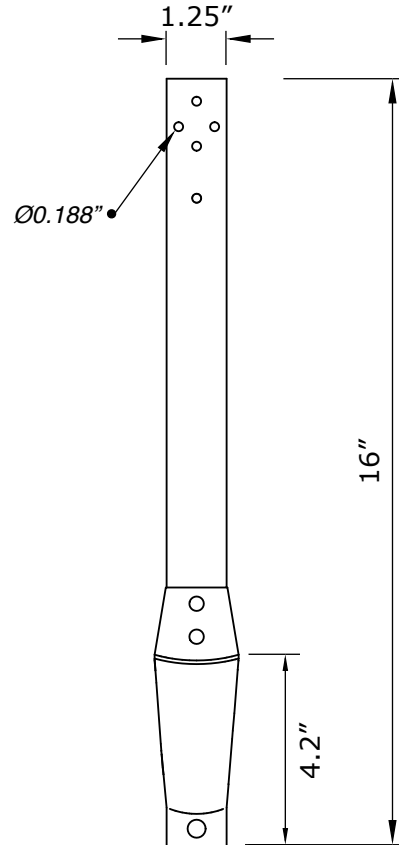
- COPPER - 48 OZ
- POWDER COATED EG STEEL - 14 GAUGE



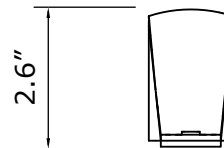
ISOMETRIC VIEW



SIDE VIEW



TOP VIEW



FRONT VIEW

### MANUFACTURER NOTES:

1. CONTACT MANUFACTURER FOR SPECIFIED LAYOUT PATTERN.
2. FOR CUSTOM MATERIALS CONTACT MANUFACTURER.
3. OTHER SIZES ARE AVAILABLE ON A CUSTOM BASIS.

### NOTES:

1. INSTALLATION TO BE COMPLETED IN ACCORDANCE WITH MANUFACTURER'S SPECIFICATIONS.
2. DO NOT SCALE DRAWING.



# Rocky Mountain Snow Guards Inc

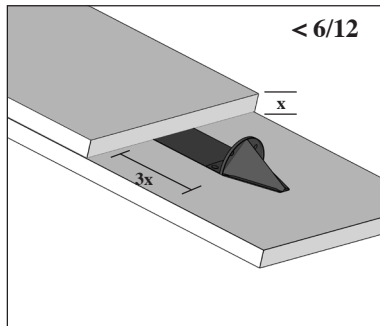
ROCKY MOUNTAIN SNOW GUARDS  
4231 S. NATCHES COURT, UNIT C  
ENGLEWOOD, CO 80110  
PHONE: (877) 414-7606  
FAX: (720) 387-8361  
www.rockymountainsnowguards.com

## INSTALLATION INSTRUCTIONS

### SNOW GUARD PLACEMENT FOR SHINGLE STYLE ROOFS (Asphalt Shingle, Tile, Slate, Synthetics, Metal Shingle)

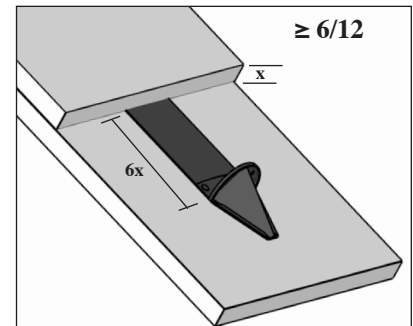
#### Less than a 6/12 Pitch

For roofs less than 6/12 pitch, the distance between the butt end and the pad face must be a minimum of  $3x$  the thickness of the roofing material.

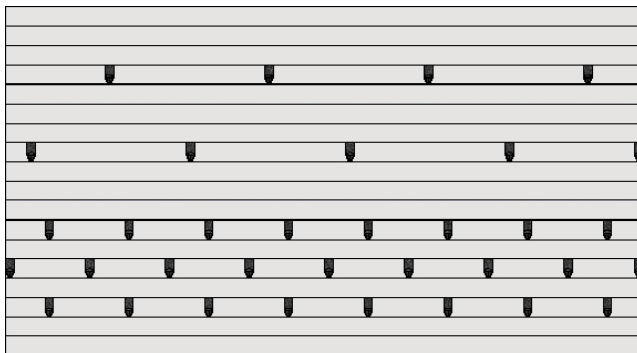


#### Greater than or equal to 6/12 Pitch

For roofs greater than 6/12 pitch, the distance between the butt end and the pad face must be a minimum of  $6x$  the thickness of the roofing material.



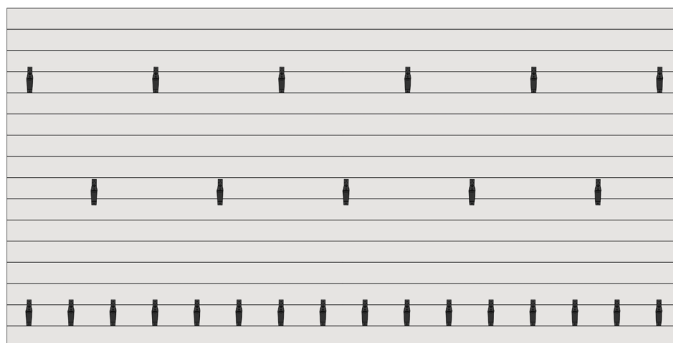
### EXAMPLE PATTERNS: (Specified pattern and dimensions are dependent on individual roof characteristics.)



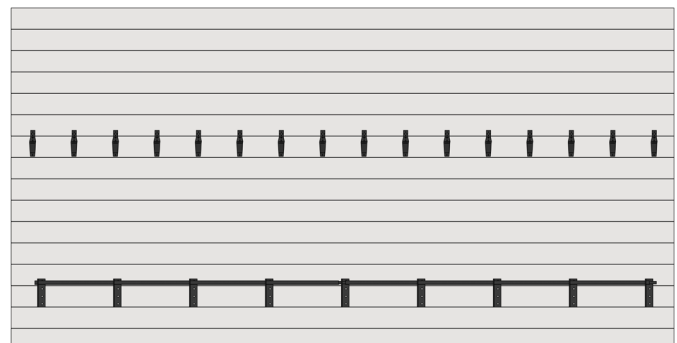
TRADITIONAL SPREAD PATTERN



MULTIPLE SOLDIER ROW



SOLDIER ROW WITH SPREAD PATTERN



SNOW FENCE WITH SOLDIER ROW



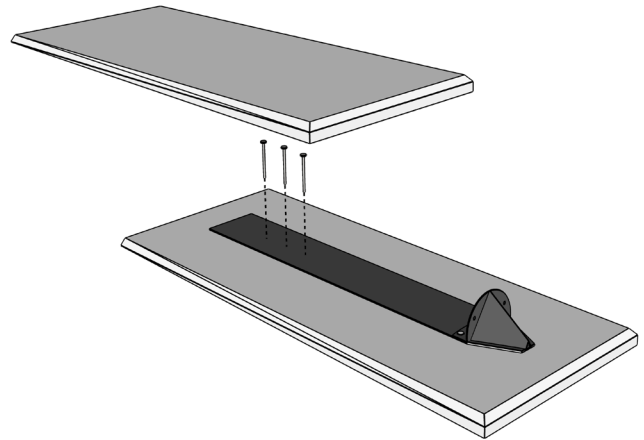
# Rocky Mountain Snow Guards Inc

ROCKY MOUNTAIN SNOW GUARDS  
4231 S. NATCHES COURT, UNIT C  
ENGLEWOOD, CO 80110  
PHONE: (877) 414-7606  
FAX: (720) 387-8361  
www.rockymountainsnowguards.com

## INSTALLATION INSTRUCTIONS CONTINUED

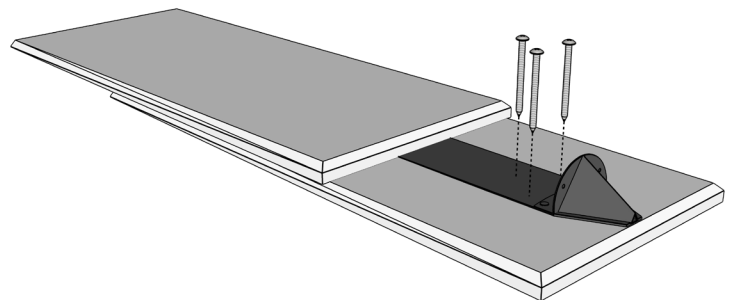
### NEW ROOF

1. Follow recommended layout pattern for specific roof and snow situation following the Rocky Mountain Snow Guard Layout Guide.
2. Mark location of each snow guard.
3. Fasten snow guard with appropriate quantity and type of fasteners:
  - ST / Yeti: Fasten through top 3" of strap.
  - RG: Fasten through fastening holes in strap.
4. Continue shingling roof.



### EXISTING ROOF

1. Follow recommended layout pattern for specific roof and snow situation following the Rocky Mountain Snow Guard Layout Guide.
2. Mark location of each snow guard and apply appropriate sealant to shingle where fasteners will penetrate.
3. Attach with 2 or 3 Woodbinder Eclipse #10 screws:
  - ST / Yeti: Fasten through exposed strap.
  - RG: Fasten through fastening holes in strap.





# Rocky Mountain Snow Guards Inc

## **RG16 Snow Guard Specification Sheet**

### ***PART 1 GENERAL***

#### 1. SUMMARY

##### A. Work Includes

1. Install RG16 Snow Guard to roof system.
2. Provide necessary components: RG16 Snow Guard and Adhesive.

#### 1.2 RELATED SECTIONS

1. Division 7: Thermal and Moisture Protection
2. Section 07320 Roofing Tiles
3. Section 07600 Flashing and Sheet Metal

#### 1.3 SYSTEM

##### A. Components

1. RG16 Snow Guard.
2. Butyl Adhesive.

##### B. Design - To be recommended by Manufacturer or Structural Engineer.

1.4 SUBMITTAL - Submit Manufacturers Specifications, recommended layout, product drawings and installation instructions.

1.5 QUALITY ASSURANCE - Installer to be experienced in roofing and snow retention for a minimum of not less than 5 years.

1.6 DELIVERY/STORAGE - Inspect material upon delivery and inform distributor of any damaged or missing items. Protect materials from damage until installation.

### ***PART 2 PRODUCTS***

#### 2.1 MANUFACTURER

- A. Rocky Mountain Snow Guards, Inc. 4231 S. Natches Ct, Unit C, Englewood, CO 80110  
(877) 414-7606 / [www.rockymountainsnowguards.com](http://www.rockymountainsnowguards.com)

#### 2.2 MATERIALS

- A. RG16 Snow Guard 16 gauge electro galvanized steel.
- B. Butyl Adhesive.

2.3 FINISH - TGIC Polyester powder coating

### ***PART 3 EXECUTION***

3.1 EXAMINATION - Inspect roof structure to insure it will withstand snow loads. Correct all problems before installation of snow guards.

3.2 INSTALLATION - Install according to architects drawing and manufacturer's instructions.



# Rocky Mountain Snow Guards Inc

ROCKY MOUNTAIN SNOW GUARDS  
4231 S. NATCHES COURT, UNIT C  
ENGLEWOOD, CO 80110  
PHONE: (877) 414-7606  
FAX: (720) 387-8361  
[www.rockymountainsnowguards.com](http://www.rockymountainsnowguards.com)

## Rocky Mountain Snow Guards Snow Retention System Maintenance Guide

Systems designed by Rocky Mountain Snow Guards, installed properly should last the life of the roof. Rocky Mountain does not recommend adhesive tape or sealant attachment for any snow fence or snow guard system. Rocky Mountain snow retention systems installed on commercial buildings, above high traffic areas or in areas with high snow loads should be inspected by a qualified roofing or snow retention professional on an annual basis to ensure the system will continue to perform as designed.

### Bolt Down Snow Fence Systems:

1. Inspect brackets, snow fence components and fasteners for evidence of damage.
2. Replace damaged parts prior to the next snow season.

### Clamp to Seam Snow Fence and Snow Bar Systems:

1. Inspect brackets, snow fence and snow bar components for evidence of damage.
2. Replace damaged parts prior to the next snow season.
3. Check torque on set screws with an appropriate torque wrench.
4. Torque set screws to recommended torque. This is especially important after the 1st snow season.

### Snow Guards:

1. Inspect snow guards for evidence of damage.
2. Inspect exposed fasteners.
3. Replace damaged parts prior to the next snow season.