



# Rocky Mountain Snow Guards Inc

ROCKY MOUNTAIN SNOW GUARDS  
4231 S NATCHES CT., UNIT C  
ENGLEWOOD, CO 80110  
PHONE: (877) 414-7606  
FAX: (720) 387-8361  
[www.rockymountainsnowguards.com](http://www.rockymountainsnowguards.com)

## CORGARD SNOW GUARD SYSTEM

### AVAILABLE MATERIALS:

- 7 GAUGE COLD ROLLED STEEL
- 7 GAUGE POWDER COATED STEEL
- 7 GAUGE ZINC COATED STEEL (Galvanized)
- 0.1875" ALUMINUM
- 0.1875" POWDER COATED ALUMINUM



### INFORMATION:

- Ultra strong design.
- Fastens through the top of the corrugation.
- Design compliments the rounded appearance of corrugated steel roof panels.
- Overall height 2.5".
- Bottom of snow guard is .1875" above trough of panel allowing for water drainage in trough.
- Excellent Choice for:
  - 3/4" and 7/8" Corrugated Panels
  - (not for use on 1/2" corrugated panels)



### EXAMPLES:



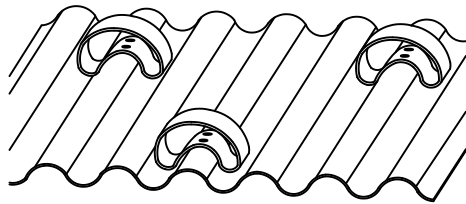


# Rocky Mountain Snow Guards Inc

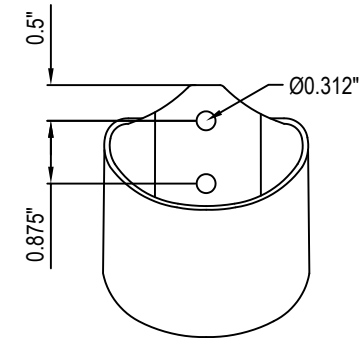
ROCKY MOUNTAIN SNOW GUARDS  
4231 S. NATCHES COURT, UNIT C  
ENGLEWOOD, CO 80110  
PHONE: (877) 414-7606  
FAX: (720) 387-8361  
www.rockymountainsnowguards.com

SELECT DESIRED MATERIAL:

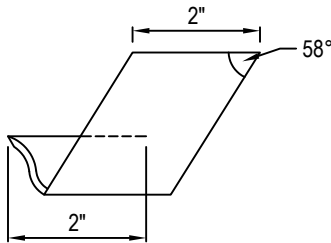
- POWDER COATED EG STEEL - 7 GAUGE
- POWDER COATED ALUMINUM - 0.1875"
- MILL FINISH ALUMINUM - 0.1875"
- RAW STEEL - 7 GAUGE



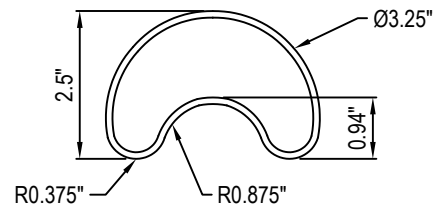
ISOMETRIC VIEW



FRONT PERSPECTIVE



SIDE PERSPECTIVE



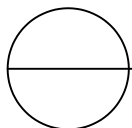
FRONT VIEW

**MANUFACTURER NOTES:**

1. CONTACT MANUFACTURER FOR SELECTED LAYOUT.
2. FOR CUSTOM MATERIALS CONTACT MANUFACTURER.
3. OTHER SIZES ARE AVAILABLE ON A CUSTOM BASIS.

**NOTES:**

1. INSTALLATION TO BE COMPLETED IN ACCORDANCE WITH MANUFACTURER'S SPECIFICATIONS.
2. DO NOT SCALE DRAWING.
3. THIS DRAWING IS INTENDED FOR USE BY ARCHITECTS, ENGINEERS, CONTRACTORS, CONSULTANTS AND DESIGN PROFESSIONALS FOR PLANNING PURPOSES ONLY. THIS DRAWING MAY NOT BE USED FOR CONSTRUCTION.
4. ALL INFORMATION CONTAINED HEREIN WAS CURRENT AT THE TIME OF DEVELOPMENT BUT MUST BE REVIEWED AND APPROVED BY THE PRODUCT MANUFACTURER TO BE CONSIDERED ACCURATE.
5. CONTRACTOR'S NOTE: FOR PRODUCT AND COMPANY INFORMATION VISIT [www.CADdetails.com/info](http://www.CADdetails.com/info) AND ENTER REFERENCE NUMBER 5281-024



**SNOW GUARDS**

CORGARD SNOW GUARD



# Rocky Mountain Snow Guards, Inc.

**Powder Coating Colors for  
Snow Guards and Snow Fences**  
[rockymountainsnowguards.com](http://rockymountainsnowguards.com)

Phone: 877-414-7606

					
RAL 1001 Beige	RAL 1011 Brown Beige	RAL 1013 Oyster White	RAL 1015 Light Ivory	RAL 1019 Grey Beige	RAL 2012 Salmon Orange
					
RAL 3002 Carmine Red	RAL 3007 Black Red	RAL 3009 Oxide Red	RAL 3031 Orient Red	RAL 5003 Sapphire Blue	RAL 5009 Azure Blue
					
RAL 5014 Pigeon Blue	RAL 5019 Capri Blue	RAL 6021 Pale Green	RAL 6028 Pine Green	RAL 7000 Squirrel Grey	RAL 7001 Silver Grey
					
RAL 7003 Moss Grey	RAL 7004 Signal Grey	RAL 7005 Mouse Grey	RAL 7006 Beige Grey	RAL 7010 Tarpaulin Grey	RAL 7011 Iron Grey
					
RAL 7012 Basalt Grey RMSG-Charcoal Gray	RAL 7013 Brown Grey RMSG-Med Bronze	RAL 7015 Slate Grey RMSG-Liberty Gray	RAL 7016 Anthracite Grey	RAL 7021 Black Grey	RAL 7030 Stone Grey
					
RAL 7032 Pebble Grey	RAL 7033 Cement Grey	RAL 7036 Platinum Grey	RAL 7037 Dusty Grey	RAL 7039 Quartz Grey	RAL 7042 Traffic Grey A
					
RAL 7043 Traffic Grey B	RAL 7044 Silk Grey	RAL 7046 Telegrey 2	RAL 7047 Telegrey 4	RAL 7048 Pearl Mouse Grey	RAL 8004 Copper Brown
					
RAL 8017 Chocolate Brown	RAL 8019 Grey Brown	RAL 8022 Black Brown	RAL 8024 Beige Brown	RAL 8025 Pale Brown	RAL 8028 Terra Brown
					
RAL 9003 Signal White	RAL 9004 Signal Black	RAL 9005 Jet Black	RAL 9011 Graphite Black	RAL 9022 Pearl Light Grey	
<b>Various Products Stocked in Colors in this Row</b>					
	RMSG-Dark Bronze	RMSG - Black	Cardinal GR07 RMSG-Harbor Gray		



---

## POWDER COATING COLOR SIGN-OFF FORM

### RMSG STANDARD COLORS

(Additional powder color choices are available upon request)

**Black**



**Harbor Gray**



**Liberty Gray**



**Medium Bronze**



**Dark Bronze**



**Standard Color Name or Custom Powder Color Code:** \_\_\_\_\_

To remove the powder coating option, enter "MILL FINISH" in the Color Code line above.

Colors vary from manufacturers and colors selected from a digital source may not resemble the final product. By signing this document we herein authorize Rocky Mountain Snow Guards Inc. to use the selected color choice to powder coat the purchased product. Furthermore, I recognize that powder coatings may not match the roof color exactly but are meant to be similar or complimentary to the existing roof color. Color samples are available upon request.



# Rocky Mountain Snow Guards Inc

ROCKY MOUNTAIN SNOW GUARDS  
4231 S. NATCHES COURT, UNIT C  
ENGLEWOOD, CO 80110  
PHONE: (877) 414-7606  
FAX: (720) 387-8361  
[www.rockymountainsnowguards.com](http://www.rockymountainsnowguards.com)

## *CorGard Installation Instructions*

### *Low-profile for corrugated steel roofs*

1. Acquire layout from Rocky Mountain Snow Guards, Patterns will vary greatly based on a variety of roof factors.
2. Use fasteners that are compatible with the snow guard and roof. We recommend the Woodblinder Eclipse 10 x 2 ½.
3. 1 - Quarter size dollop of sealant that is compatible with the roofing material and the CorGard is to be applied to the top of the panel where the fasteners will penetrate the panel prior to installation of the CorGard.
4. Fasten each snow guard with 2 fasteners and make sure loop is facing DOWN slope with the roof.

# CorGard Snow Guard Specification Sheet

For new and existing corrugated roof systems

## **PART 1 - GENERAL**

### 1.1 SUMMARY

#### A. WORK INCLUDES

1. CorGard matches profile for 3/4" and 7/8" corrugated metal roofs.
2. Coordinate with the installation of the roof to assure proper placement of the snow guards.
3. Provide appropriate snow guard and fasteners for the roof system

#### B. RELATED SECTIONS

1. Section 07600: Flashings and Sheet Metal
2. Section 07310: Shingles
3. Section 07320: Roofing Tiles
4. Division 7: Thermal and Moisture Protection

### 1.2 SYSTEM DESCRIPTION

#### A. COMPONENTS

1. CorGard snow guard system consists of individual metal snow guards
2. Sealant / Adhesive
  - a. To be compatible with metal roofing systems

#### B. DESIGN REQUIREMENTS

1. Spacing to be recommended by manufacturer or building engineer.
2. Adhesive/ Sealant is required to maintain snow guard position.
3. It is important to design new structures or assess existing structures to make sure that they can withstand retained snow loads.

### 1.3 SUBMITTAL

- A. Submit manufacturer's specifications, standard detail drawings, recommended layout and installation instructions.

### 1.4 QUALITY ASSURANCE

- A. Installer to be experienced in the installation of specified roofing material and snow guards for not less than 5 years in the area of the project.

### 1.5 DELIVERY / STORAGE / HANDLING

- A. Inspect material upon delivery and order replacements for any missing or defective items. Keep material dry, covered and off the ground until installed.

## **PART 2 - PRODUCTS**

### 2.1 MANUFACTURER

- A. Rocky Mountain Snow Guards, 4231 S. Natches Court, Unit C, Englewood, CO 80110  
(877) 414-7606 / [www.rockymountainsnowguards.com](http://www.rockymountainsnowguards.com)



# Rocky Mountain Snow Guards Inc

ROCKY MOUNTAIN SNOW GUARDS  
4231 S. NATCHES COURT, UNIT C  
ENGLEWOOD, CO 80110  
PHONE: (877) 414-7606  
FAX: (720) 387-8361  
[www.rockymountainsnowguards.com](http://www.rockymountainsnowguards.com)

## Rocky Mountain Snow Guards Snow Retention System Maintenance Guide

Systems designed by Rocky Mountain Snow Guards, installed properly should last the life of the roof. Rocky Mountain does not recommend adhesive tape or sealant attachment for any snow fence or snow guard system. Rocky Mountain snow retention systems installed on commercial buildings, above high traffic areas or in areas with high snow loads should be inspected by a qualified roofing or snow retention professional on an annual basis to ensure the system will continue to perform as designed.

### Bolt Down Snow Fence Systems:

1. Inspect brackets, snow fence components and fasteners for evidence of damage.
2. Replace damaged parts prior to the next snow season.

### Clamp to Seam Snow Fence and Snow Bar Systems:

1. Inspect brackets, snow fence and snow bar components for evidence of damage.
2. Replace damaged parts prior to the next snow season.
3. Check torque on set screws with an appropriate torque wrench.
4. Torque set screws to recommended torque. This is especially important after the 1st snow season.

### Snow Guards:

1. Inspect snow guards for evidence of damage.
2. Inspect exposed fasteners.
3. Replace damaged parts prior to the next snow season.