



Rocky Mountain Snow Guards Inc

ROCKY MOUNTAIN SNOW GUARDS
4231 S NATCHES CT., UNIT C
ENGLEWOOD, CO 80110
PHONE: (720) 379-7756
FAX: (720) 387-8361
www.rockymountainsnowguards.com

DRIFT SOLAR SNOW FENCE SYSTEM

AVAILABLE MATERIALS:

- ALUMINUM
- POWDER COATED ALUMINUM



INFORMATION:

- 12" tall 4-pipe design ensures no snow slips past snow fence
- Reverse mountain creates a "catch basin" for snow
- Ice screen option is available
- Excellent Choice for:
 - Solar panels installed on asphalt shingles

EXAMPLES:





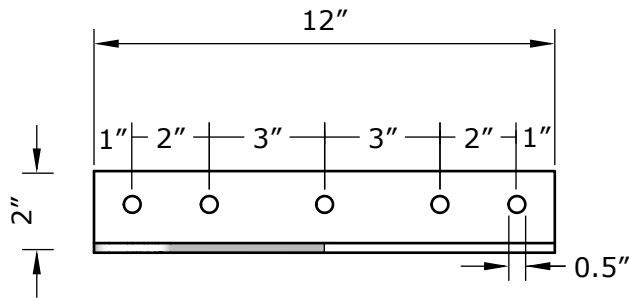
Rocky Mountain Snow Guards Inc

ROCKY MOUNTAIN SNOW GUARDS
4231 S NATCHES COURT, UNIT C
ENGLEWOOD, CO 80110
PHONE: (877) 414-7606
FAX: (720) 387-8361
www.rockymountainsnowguards.com

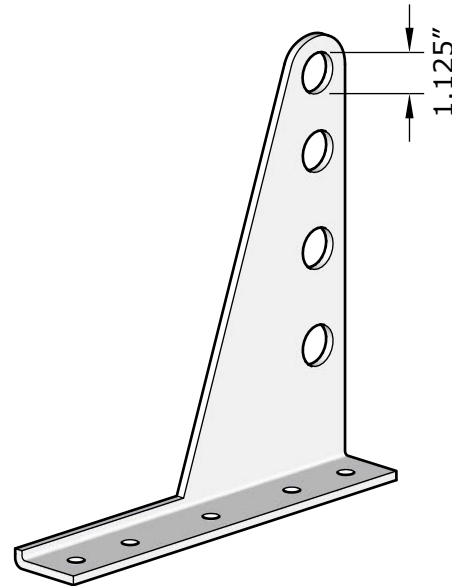
DRIFT SOLAR

SELECT DESIRED MATERIAL:

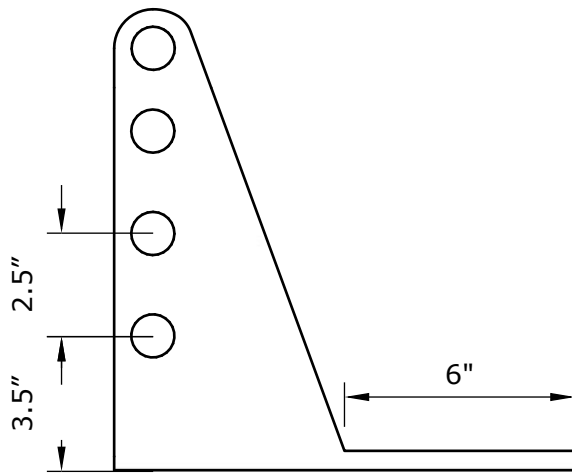
- COPPER - 48 OZ
- PAINTED ALUMINUM - 0.25"



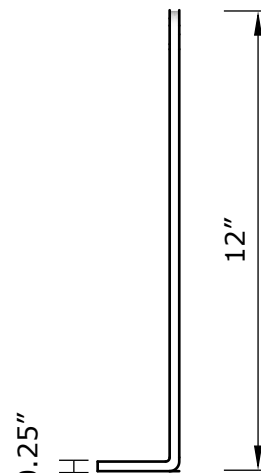
TOP VIEW



ISOMETRIC VIEW



FRONT VIEW



SIDE VIEW

MANUFACTURER NOTES:

1. CONTACT MANUFACTURER FOR SPECIFIED LAYOUT PATTERN.
2. FOR CUSTOM MATERIALS CONTACT MANUFACTURER.
3. OTHER SIZES ARE AVAILABLE ON A CUSTOM BASIS.

NOTES:

1. INSTALLATION TO BE COMPLETED IN ACCORDANCE WITH MANUFACTURER'S SPECIFICATIONS.
2. DO NOT SCALE DRAWING.

DRIFT SOLAR SNOW GUARD



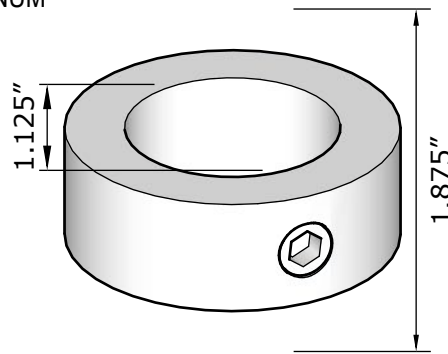
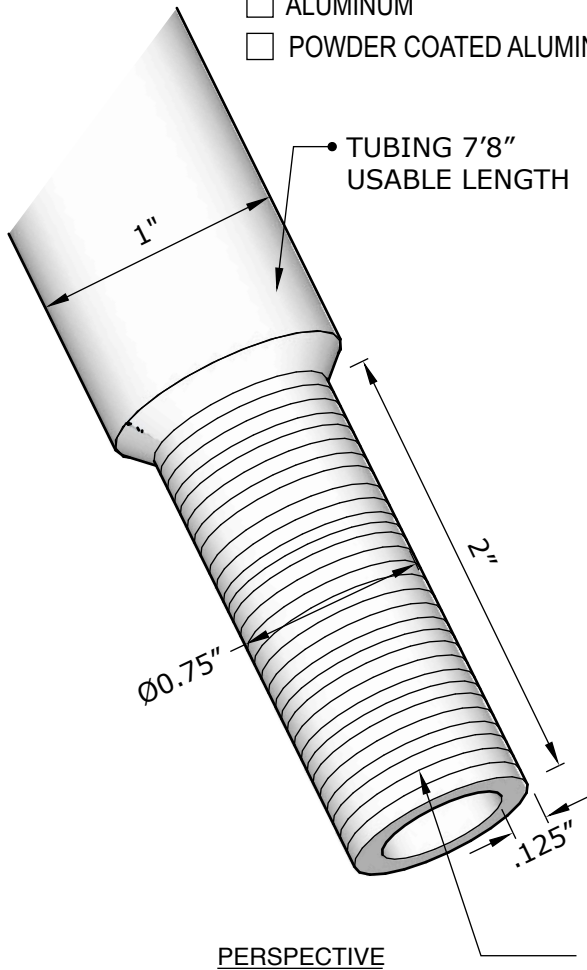
Rocky Mountain Snow Guards Inc

ROCKY MOUNTAIN SNOW GUARDS
4231 S NATCHES COURT, UNIT C
ENGLEWOOD, CO 80110
PHONE: (877) 414-7606
FAX: (720) 387-8361
www.rockymountainsnowguards.com

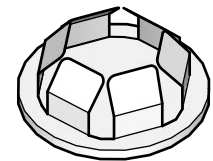
ALUMINUM SNOW FENCE COMPONENTS

SELECT DESIRED MATERIAL:

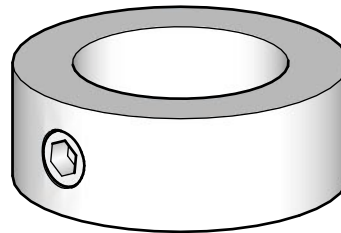
- ALUMINUM
- POWDER COATED ALUMINUM



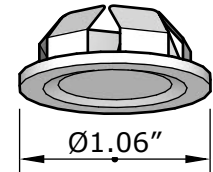
TOP VIEW
END COLLAR



TOP PERSPECTIVE
END CAP



PERSPECTIVE
END COLLAR



BOTTOM PERSPECTIVE
END CAP

SHOWN WITH SWAGED END TO
CONNECT TO TUBES - OVERALL LENGTH 7'10"
ALTERNATE: 7'8" TUBING WITH SEPARATE INTERNAL COUPLER

MANUFACTURER NOTES:

1. CONTACT MANUFACTURER FOR SPECIFIED LAYOUT PATTERN.
2. FOR CUSTOM MATERIALS CONTACT MANUFACTURER.
3. OTHER SIZES ARE AVAILABLE ON A CUSTOM BASIS.

NOTES:

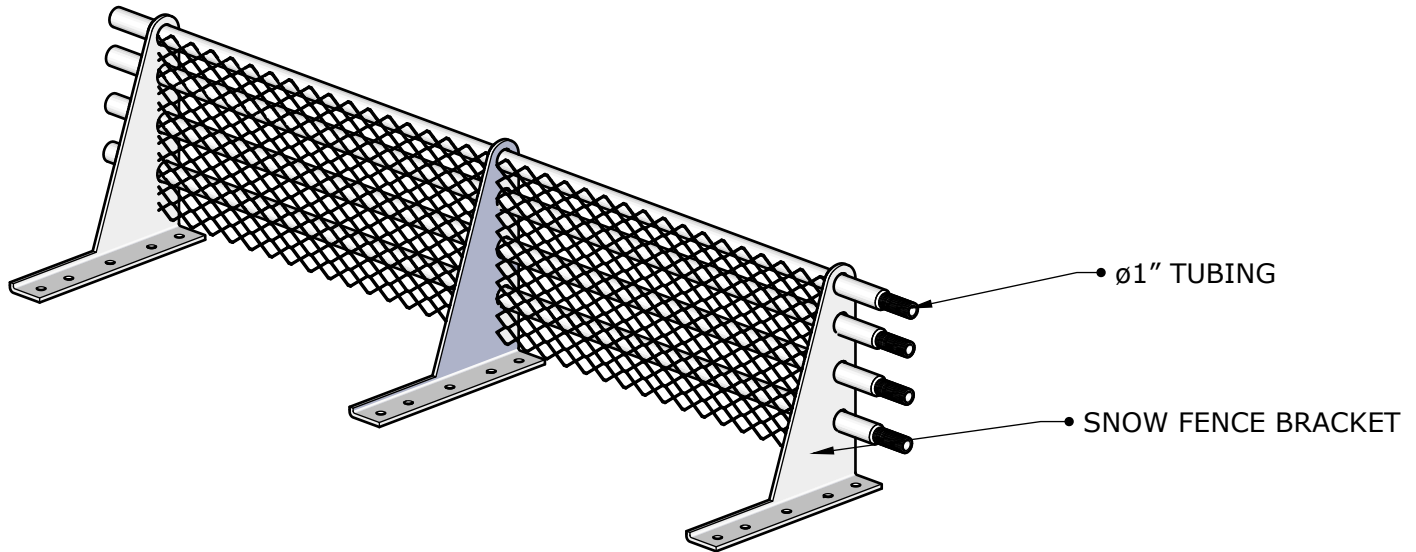
1. INSTALLATION TO BE COMPLETED IN ACCORDANCE WITH MANUFACTURER'S SPECIFICATIONS.
2. DO NOT SCALE DRAWING.



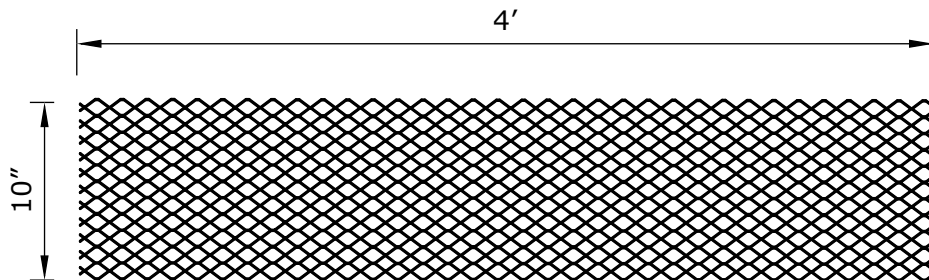
Rocky Mountain Snow Guards Inc

ROCKY MOUNTAIN SNOW GUARDS
4231 S NATCHES COURT, UNIT C
ENGLEWOOD, CO 80110
PHONE: (877) 414-7606
FAX: (720) 387-8361
www.rockymountainsnowguards.com

ICE SCREEN - SNOW FENCE SYSTEM ACCESSORY



ISOMETRIC VIEW



FRONT VIEW

MANUFACTURER NOTES:

1. CONTACT MANUFACTURER FOR SPECIFIED LAYOUT PATTERN.
2. FOR CUSTOM MATERIALS CONTACT MANUFACTURER.
3. OTHER SIZES ARE AVAILABLE ON A CUSTOM BASIS.
4. MANUFACTURED OF EXPANDED T6061 ALUMINUM.

NOTES:

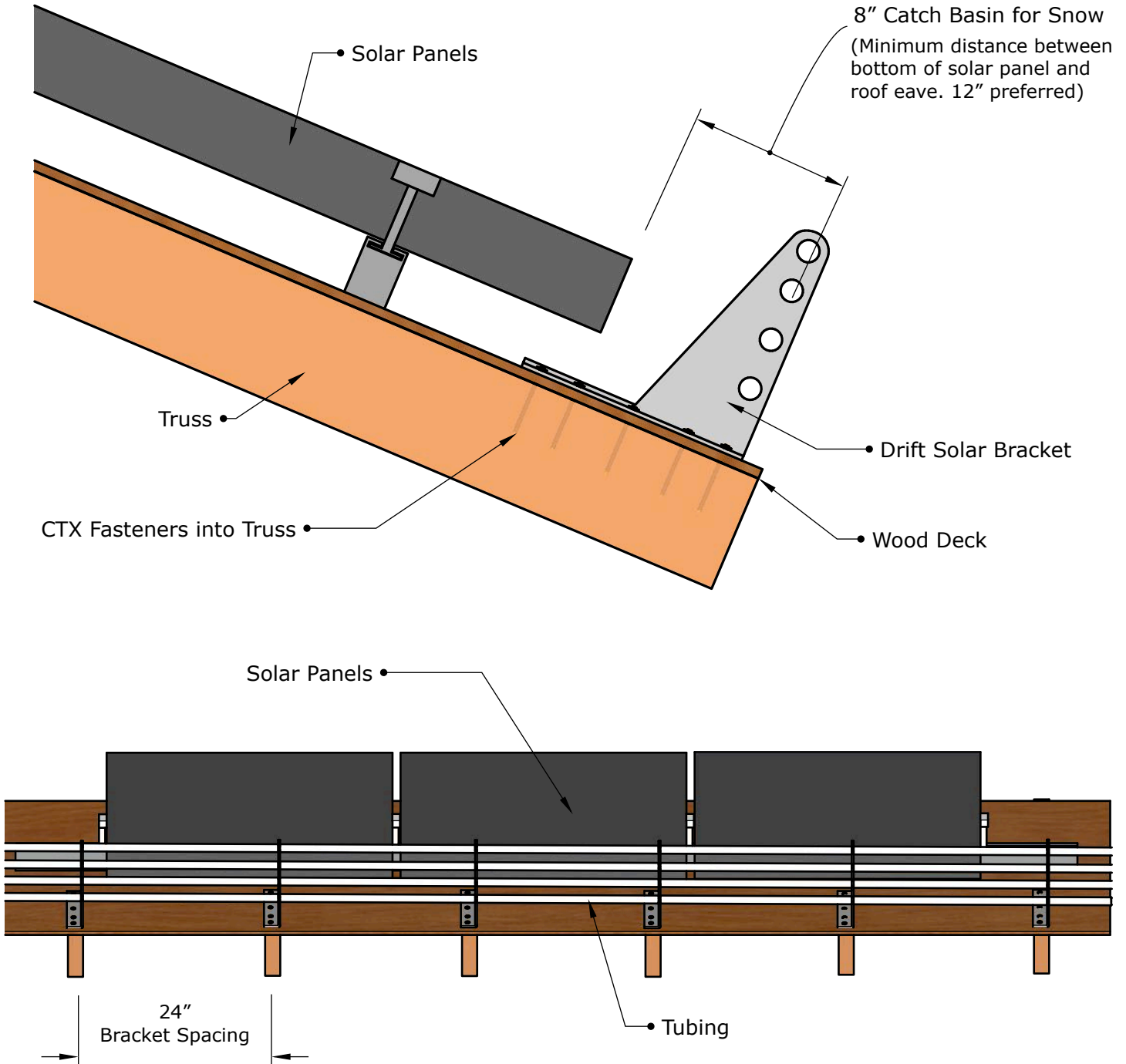
1. INSTALLATION TO BE COMPLETED IN ACCORDANCE WITH MANUFACTURER'S SPECIFICATIONS.
2. DO NOT SCALE DRAWING.



Rocky Mountain Snow Guards Inc

ROCKY MOUNTAIN SNOW GUARDS
4231 S NATCHES COURT, UNIT C
ENGLEWOOD, CO 80110
PHONE: (877) 414-7606
FAX: (720) 387-8361
www.rockymountainsnowguards.com

DRIFT SOLAR INSTALLATION INSTRUCTIONS





Rocky Mountain Snow Guards, Inc.

**Powder Coating Colors for
Snow Guards and Snow Fences**
rockymountainsnowguards.com

Phone: 877-414-7606

					
RAL 1001 Beige	RAL 1011 Brown Beige	RAL 1013 Oyster White	RAL 1015 Light Ivory	RAL 1019 Grey Beige	RAL 2012 Salmon Orange
					
RAL 3002 Carmine Red	RAL 3007 Black Red	RAL 3009 Oxide Red	RAL 3031 Orient Red	RAL 5003 Sapphire Blue	RAL 5009 Azure Blue
					
RAL 5014 Pigeon Blue	RAL 5019 Capri Blue	RAL 6021 Pale Green	RAL 6028 Pine Green	RAL 7000 Squirrel Grey	RAL 7001 Silver Grey
					
RAL 7003 Moss Grey	RAL 7004 Signal Grey	RAL 7005 Mouse Grey	RAL 7006 Beige Grey	RAL 7010 Tarpaulin Grey	RAL 7011 Iron Grey
					
RAL 7012 Basalt Grey RMSG-Charcoal Gray	RAL 7013 Brown Grey RMSG-Med Bronze	RAL 7015 Slate Grey RMSG-Liberty Gray	RAL 7016 Anthracite Grey	RAL 7021 Black Grey	RAL 7030 Stone Grey
					
RAL 7032 Pebble Grey	RAL 7033 Cement Grey	RAL 7036 Platinum Grey	RAL 7037 Dusty Grey	RAL 7039 Quartz Grey	RAL 7042 Traffic Grey A
					
RAL 7043 Traffic Grey B	RAL 7044 Silk Grey	RAL 7046 Telegrey 2	RAL 7047 Telegrey 4	RAL 7048 Pearl Mouse Grey	RAL 8004 Copper Brown
					
RAL 8017 Chocolate Brown	RAL 8019 Grey Brown	RAL 8022 Black Brown	RAL 8024 Beige Brown	RAL 8025 Pale Brown	RAL 8028 Terra Brown
					
RAL 9003 Signal White	RAL 9004 Signal Black	RAL 9005 Jet Black	RAL 9011 Graphite Black	RAL 9022 Pearl Light Grey	
Various Products Stocked in Colors in this Row					
	RMSG-Dark Bronze	RMSG - Black	Cardinal GR07 RMSG-Harbor Gray		



POWDER COATING COLOR SIGN-OFF FORM

RMSG STANDARD COLORS

Black



Harbor Gray



Liberty Gray



Medium Bronze



Dark Bronze*



Standard Color Name or Custom Powder Color Code: _____

To remove the powder coating option, enter "MILL FINISH" in the Color Code line above.

***Dark Bronze snow fence systems will include anodized tubing.**

Colors vary from manufacturers and colors selected from a digital source may not resemble the final product. By signing this document we herein authorize Rocky Mountain Snow Guards Inc. to use the selected color choice to powder coat the purchased product. Furthermore, I recognize that powder coatings may not match the roof color exactly but are meant to be similar or complimentary to the existing roof color. Color samples are available upon request.

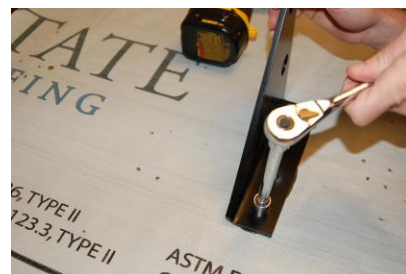


Rocky Mountain Snow Guards Inc

ROCKY MOUNTAIN SNOW GUARDS
4231 S. NATCHES COURT, UNIT C
ENGLEWOOD, CO 80110
PHONE: (877) 414-7606
FAX: (720) 387-8361
www.rockymountainsnowguards.com

L-Bracket Installation Instructions

- 1) Obtain the appropriate fasteners for your particular installation. Contact Rocky Mountain Snow Guards or a structural engineer for recommendations.
- 2) Mark the location of each L-Bracket based on layout recommended by Rocky Mountain Snow Guards. Drift brackets can be installed on top of existing asphalt and metal shingle and metal panel roofs.
- 3) Pre-drill holes through the roof deck and into the supporting structure. Use the L-Bracket base as a template for determining fastener locations. If the bracket base spans 2 courses of asphalt shingles, the tab on the upper course should be removed to provide a flat fastening surface.
- 4) Apply appropriate sealant to the bottom of each L-Bracket. Apply enough sealant for each fastener to be sufficiently sealed.
- 5) Fasten each L-Bracket with the appropriate number and type of fasteners.
- 6) Flash appropriately or seal fastener heads in accordance with compatibility to specific roofing materials.



STRUCTURAL • CORROSION RESISTANT

CTX

CONSTRUCTION LAG SCREW



Star Drive



Round Washer Head

ACQ
COMPATIBLE

- Bronze Coating
- Aggressive Knurl
- Type 17 Point



TER 1907 01

Scan for Tech Data



Compatible with treated lumber, but areas within one mile of saltwater, near swimming pools, exposure to corrosive chemicals, or other areas where corrosion is more likely to occur, such as livestock confinement, use the proper size, grade and type of Big Timber Stainless Steel Fasteners. *Stainless available as SCTX.*



BENEFITS & FEATURES:

- Heat treated hardened steel for high tensile strength and high shear strength
- Triple Layer ACQ Compatible Bronze Coating for Exterior or Interior use
- Deep Six Lobe Star Drive Recess reduces cam out end load. Handles twice the torque as Phillips or Square Drive while extending the life of the bit
- Built in washer head for increased pull through strength
- Under head cutting nibs to aid in self countersinking
- Aggressive knurl enlarges hole to reduce splitting and drag to help draw lumber together
- V Cut notches on threads to cut fibers for easier insertion at lower torque
- Type 17 tip for faster precise starts which eliminate "walking" and provides easier insertion without pre drilling
- Aggressive Thread for great withdrawal strength
- Structural Lag Screw backed by certified independent testing (TER 1907 01) (Acceptable alternative to galvanized lag screws)
- International Building Code and International Residential Code Compliant

COMMON USES INCLUDE:

- Log Construction
- Timber Frames
- Laminated Beams
- Girders
- Ledger Boards
- Stair Rails
- Deck Posts
- Fencing
- SIP Panels
- Pole Barns

NOTE: Always follow lumber manufacturer's recommendations.

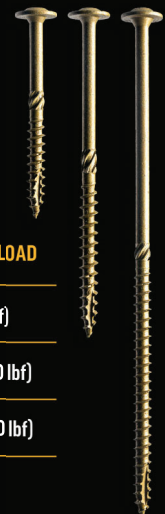
Available Sizes • #14 x 1" to #17 x 16"

AVAILABLE DRIVE AND SHANK SIZES:

T25 ▶ (#14 / 0.168 IN)

T30 ▶ (#15 / 0.202 IN)

T40 ▶ (#17 / 0.226 IN)



DIAMETER / DRIVE	LENGTH	AVERAGE ULTIMATE LOAD
0.531 / T25	1 - 6	930 lbf (Shear 725 lbf)
0.620 / T30	2 - 6	1,475 lbf (Shear 1,020 lbf)
0.675 / T40	4 - 16	1,850 lbf (Shear 1,240 lbf)

Drift Series Bolt Down Bracket Specification Sheet

PART 1-GENERAL

1.1 SUMMARY

A. WORK INCLUDES

1. Drift II, III, III+ or Drift Solar - two, three or four pipe snow brackets.
2. Provide appropriate snow bracket and snow bracket accessories for the roofing system.

B. RELATED SECTIONS

1. Section 07600 Flashings and Sheet Metal
2. Section 7 Thermal and Moisture Protection

1.2 SYSTEM DESCRIPTION

A. COMPONENTS

1. Drift Series- bolt down snow fence brackets.
2. Tubing
3. Tubing Couplers
4. Tubing Caps
5. Tubing Collars
6. Ice Stops

B. DESIGN REQUIREMENTS

1. Bracket and row spacing to be determined by manufacturer or engineer.
2. Structure must be able to withstand snow load held on roof.

1.3 SUBMITTAL

- A. Submit manufacturer's specifications, detail drawings, recommended layout and installation instructions

1.4 QUALITY ASSURANCE

- A. Installer to be experienced in the installation of roofing materials and snow retention products.

1.5 DELIVERY, STORAGE AND HANDLING

- A. Material to be inspected upon delivery for damage and stored in a safe, dry location prior to installation.

PART 2 - PRODUCTS

2.1 MANUFACTURER:

Rocky Mountain Snow Guards, Inc., 4231 S. Natches Court, Unit C, Englewood, CO 80110
(877) 414-7606 / www.rockymountainsnowguards.com

2.2 MATERIALS

A. Aluminum System:

- i. Drift Series snow fence brackets are extruded 6061-T6 aluminum.
- ii. Tubing is 6061-T6 aluminum with 1" outside diameter and .0125 wall thickness.
- iii. Tubing Couplers are 6061-T6 Aluminum shaft with stainless washers and tightening bolts, nylon slip washers and rubber expansion washers.
- iv. Tubing Caps are 302 stainless steel
- v. Tubing Collars are 6061-T6 aluminum with stainless steel set screws.
- vi. Ice Stops are 601-T6 aluminum with stainless fasteners.
- vii. Ice Screen is 0.125 expanded aluminum

B. Copper System:

- i. Drift Series snow fence brackets are solid 0.25" thick copper
- ii. Tubing is 1" outside diameter copper tubing reinforced with 0.75" x .0125 wall thickness powder coated steel tubing.
- iii. Tubing Couplers are 3" x 1.25" outside diameter copper.
- iv. Tubing Caps are copper.
- v. Ice Stops are 0.125" x 3" wide copper.
- vi. Ice Screen is 0.125" expanded aluminum.

2.3 MATERIAL FINISH

- A. All materials are mill finish. Powder coating is available on aluminum system but not required as all parts are either aluminum or stainless steel.

PART 3 – EXECUTION

3.1 EXAMINATION

- A. Verify structure will accommodate ground snow loads and drifting loads present at the job site.
- B. Verify that attachment of the metal roofing panels will accommodate the loads incurred by the addition of the snow retention system

3.2 INSTALLATION

- A. Follow architectural drawings or drawings supplied by manufacturer for location of snow brackets.
- B. Follow manufacturer's installation instructions and layout guide.



Rocky Mountain Snow Guards Inc

ROCKY MOUNTAIN SNOW GUARDS
4231 S. NATCHES COURT, UNIT C
ENGLEWOOD, CO 80110
PHONE: (877) 414-7606
FAX: (720) 387-8361
www.rockymountainsnowguards.com

Rocky Mountain Snow Guards Snow Retention System Maintenance Guide

Systems designed by Rocky Mountain Snow Guards, installed properly should last the life of the roof. Rocky Mountain does not recommend adhesive tape or sealant attachment for any snow fence or snow guard system. Rocky Mountain snow retention systems installed on commercial buildings, above high traffic areas or in areas with high snow loads should be inspected by a qualified roofing or snow retention professional on an annual basis to ensure the system will continue to perform as designed.

Bolt Down Snow Fence Systems:

1. Inspect brackets, snow fence components and fasteners for evidence of damage.
2. Replace damaged parts prior to the next snow season.

Clamp to Seam Snow Fence and Snow Bar Systems:

1. Inspect brackets, snow fence and snow bar components for evidence of damage.
2. Replace damaged parts prior to the next snow season.
3. Check torque on set screws with an appropriate torque wrench.
4. Torque set screws to recommended torque. This is especially important after the 1st snow season.

Snow Guards:

1. Inspect snow guards for evidence of damage.
2. Inspect exposed fasteners.
3. Replace damaged parts prior to the next snow season.