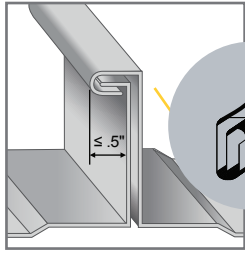


S-5!® S-5-E Clamp

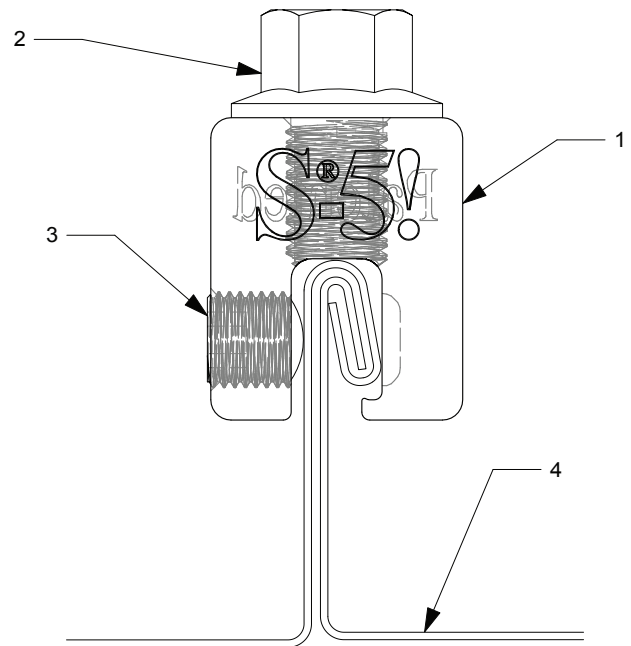
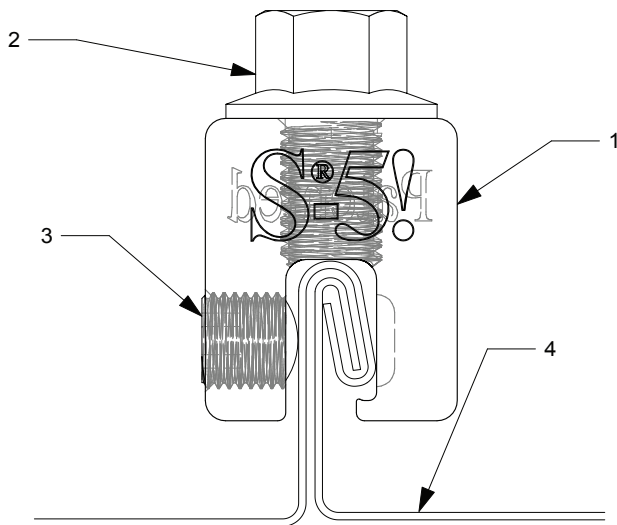
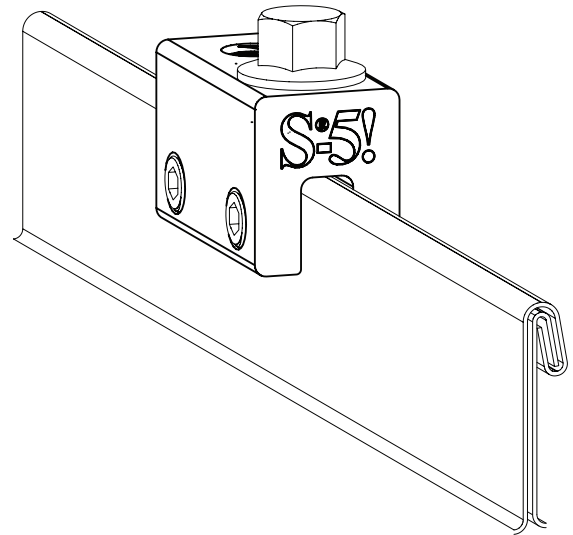
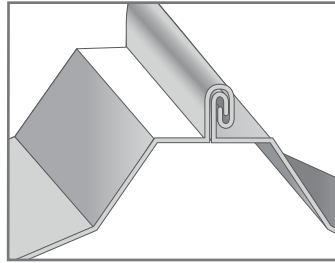
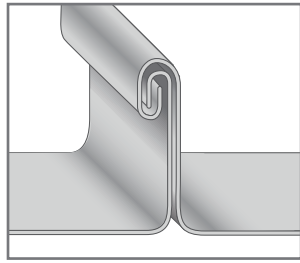
Seam Profiles

Example Profiles



For horizontal seams under .5", crimp the seam to 180 degrees at desired clamp location.

This illustration demonstrates crimping technique, NOT actual location of clamp.



Notes

1. S-5-E
2. M10-1.5 x 16MM HEX FLANGE BOLT
3. 3/8-24 X .5" ROUND POINT SETSCREW
4. EXAMPLE PROFILE