



Rocky Mountain Snow Guards Inc

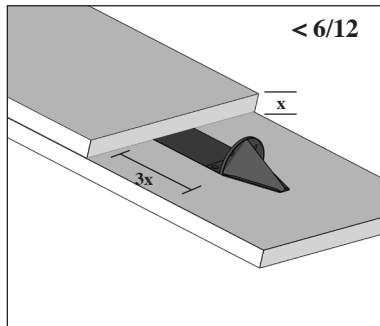
ROCKY MOUNTAIN SNOW GUARDS
4231 S. NATCHES COURT, UNIT C
ENGLEWOOD, CO 80110
PHONE: (877) 414-7606
FAX: (720) 387-8361
www.rockymountainsnowguards.com

INSTALLATION INSTRUCTIONS

SNOW GUARD PLACEMENT FOR SHINGLE STYLE ROOFS (Asphalt Shingle, Tile, Slate, Synthetics, Metal Shingle)

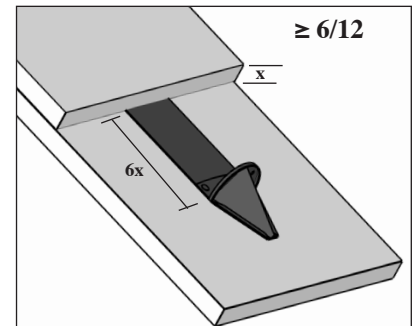
Less than a 6/12 Pitch

For roofs less than 6/12 pitch, the distance between the butt end and the pad face must be a minimum of $3x$ the thickness of the roofing material.

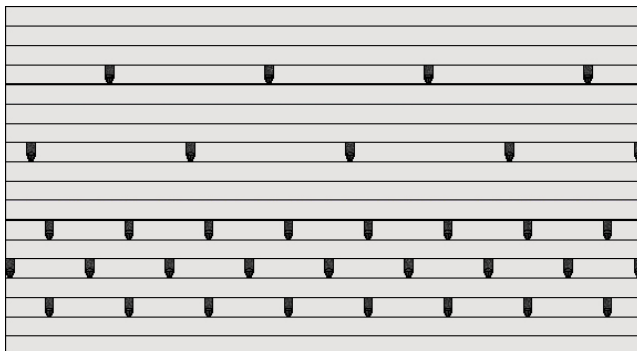


Greater than or equal to 6/12 Pitch

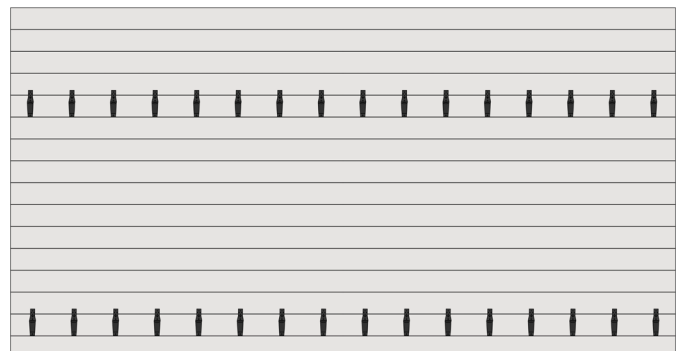
For roofs greater than 6/12 pitch, the distance between the butt end and the pad face must be a minimum of $6x$ the thickness of the roofing material.



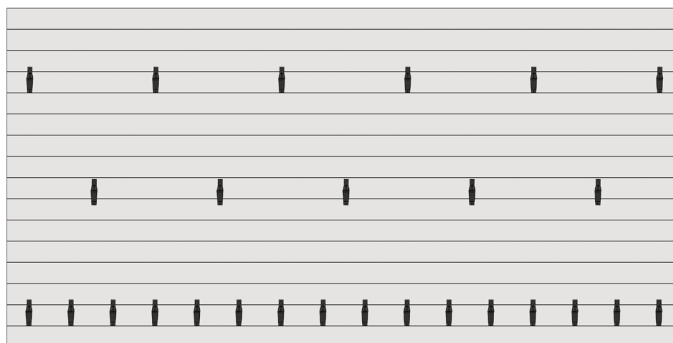
EXAMPLE PATTERNS: (Specified pattern and dimensions are dependent on individual roof characteristics.)



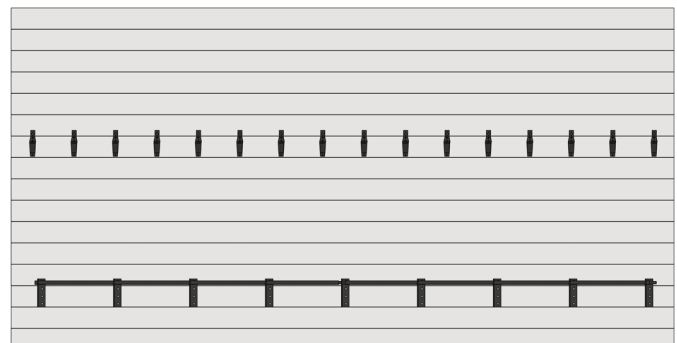
TRADITIONAL SPREAD PATTERN



MULTIPLE SOLDIER ROW



SOLDIER ROW WITH SPREAD PATTERN



SNOW FENCE WITH SOLDIER ROW



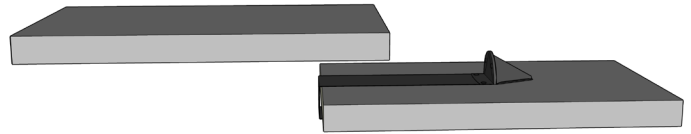
Rocky Mountain Snow Guards Inc

ROCKY MOUNTAIN SNOW GUARDS
4231 S. NATCHES COURT, UNIT C
ENGLEWOOD, CO 80110
PHONE: (877) 414-7606
FAX: (720) 387-8361
www.rockymountainsnowguards.com

INSTALLATION INSTRUCTIONS CONTINUED

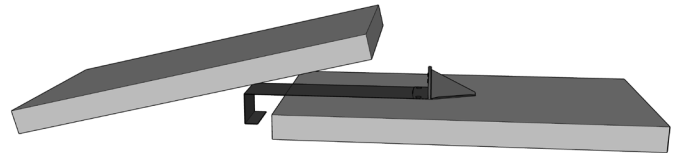
NEW ROOF

1. Follow recommended layout pattern for specific roof and snow situation following the Rocky Mountain Snow Guard Layout Guide.
2. Mark location of each snow guard.
3. Apply a nickel size dollop 6" from the top of tile at the mark.
4. Place the snow guard so that the hook is fully engaged under the tile.
5. Continue shingling roof.



EXISTING ROOF

1. Follow recommended layout pattern for specific roof and snow situation following the Rocky Mountain Snow Guard Layout Guide.
2. Mark location of each snow guard and apply appropriate sealant to shingle where fasteners will penetrate.
3. Apply a nickel size dollop 6" from the top of tile at the mark.
4. Lift tile above just enough to slide new snow guard under.
5. Slide snow guard up until hook passes top of tile.
6. Pull down on the snow guard until hook is fully engaged.



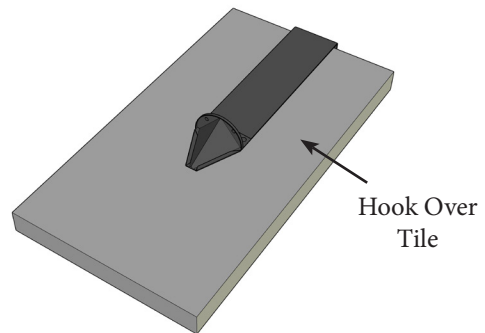
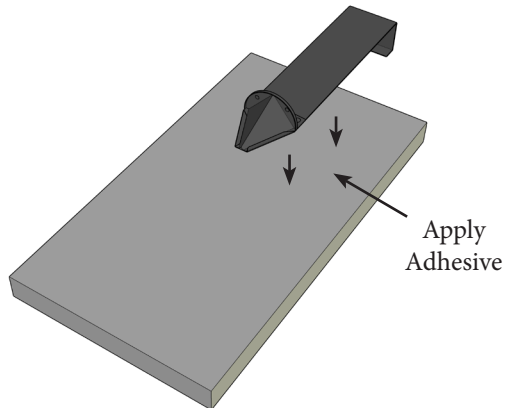


Rocky Mountain Snow Guards Inc

ROCKY MOUNTAIN SNOW GUARDS
4231 S. NATCHES COURT, UNIT C
ENGLEWOOD, CO 80110
PHONE: (877) 414-7606
FAX: (720) 387-8361
www.rockymountainsnowguards.com

YETI TILE HOOK

NEW ROOF



EXISTING ROOF

