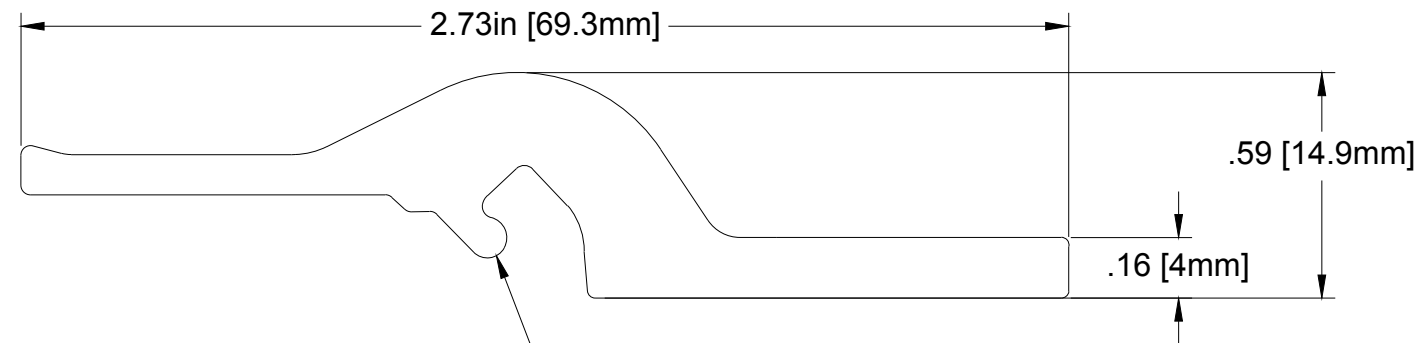
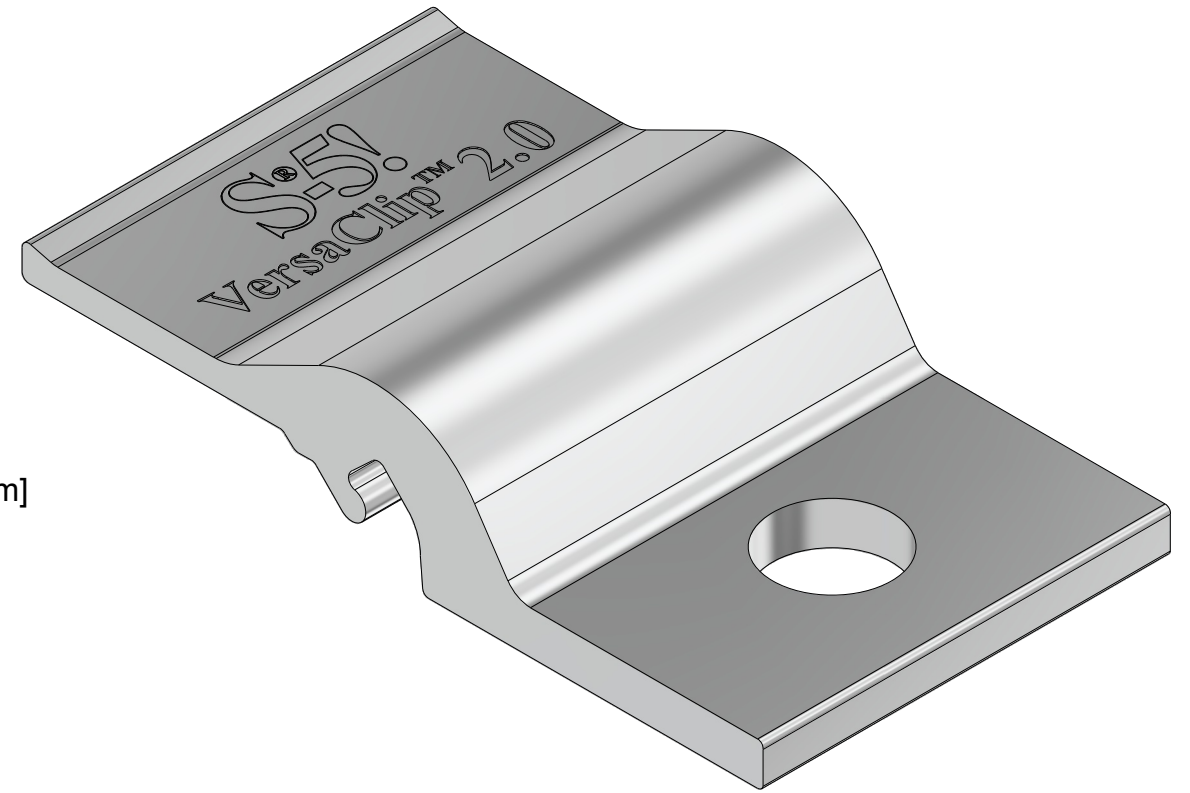
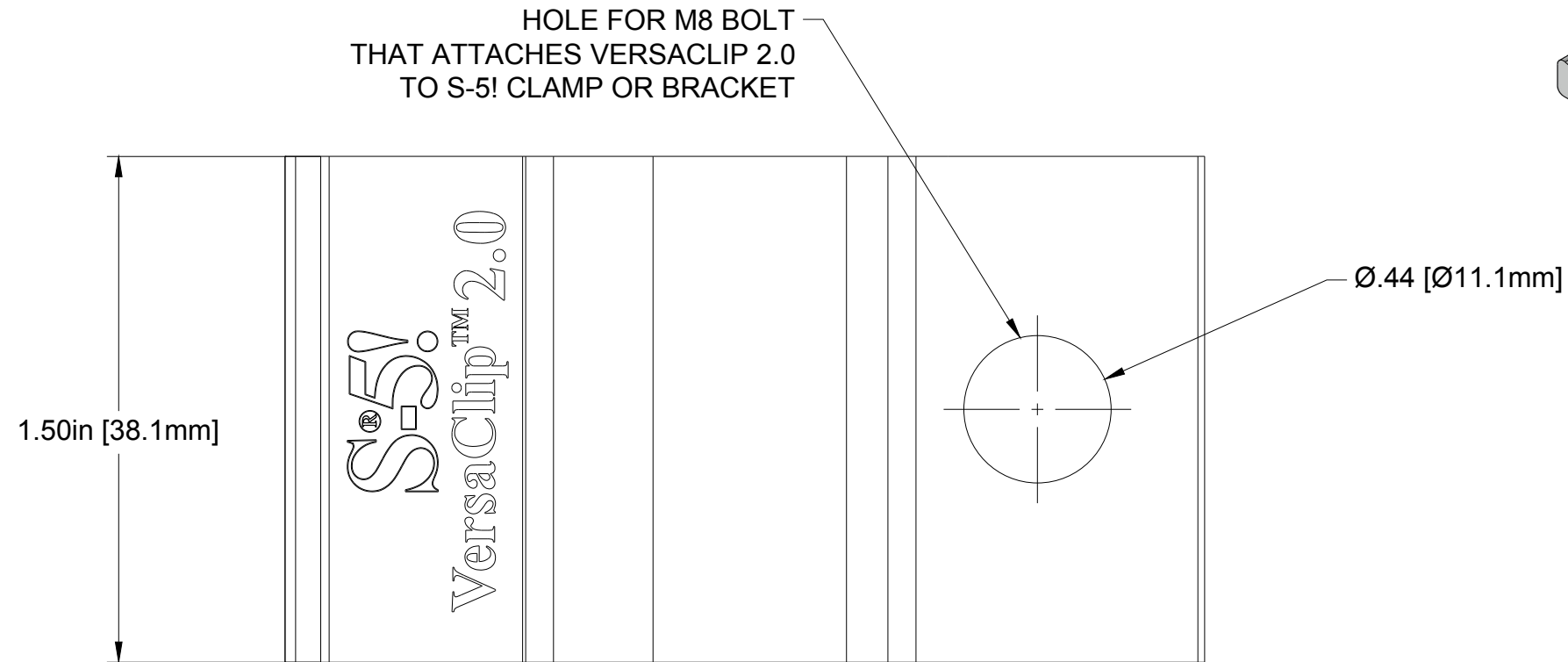



VersaClip 2.0



MATERIAL: 6000 Series AL		METAL ROOF INNOVATIONS, LTD. 12730 Black Forest Road COLORADO SPRINGS, CO 80908 719-495-0518 719-495-0045 (FAX)	
EST ASSEMBLY WT: 0.08 lb			
HARDWARE:	TITLE VersaClip 2.0 [CCD]		
	DRAWING NO. VC30-A-0-A	DRAWN BY SB	DATE 04-17-2024
	SCALE 1:1	FILE NAME VC30-A-0-A (VersaClip 2.0) [CCD]	
S-5!® PRODUCTS ARE PROTECTED BY MULTIPLE U.S. AND FOREIGN PATENTS. VISIT OUR WEBSITE AT WWW.S-5.COM FOR COMPLETE INFORMATION ON PATENTS AND TRADEMARKS			