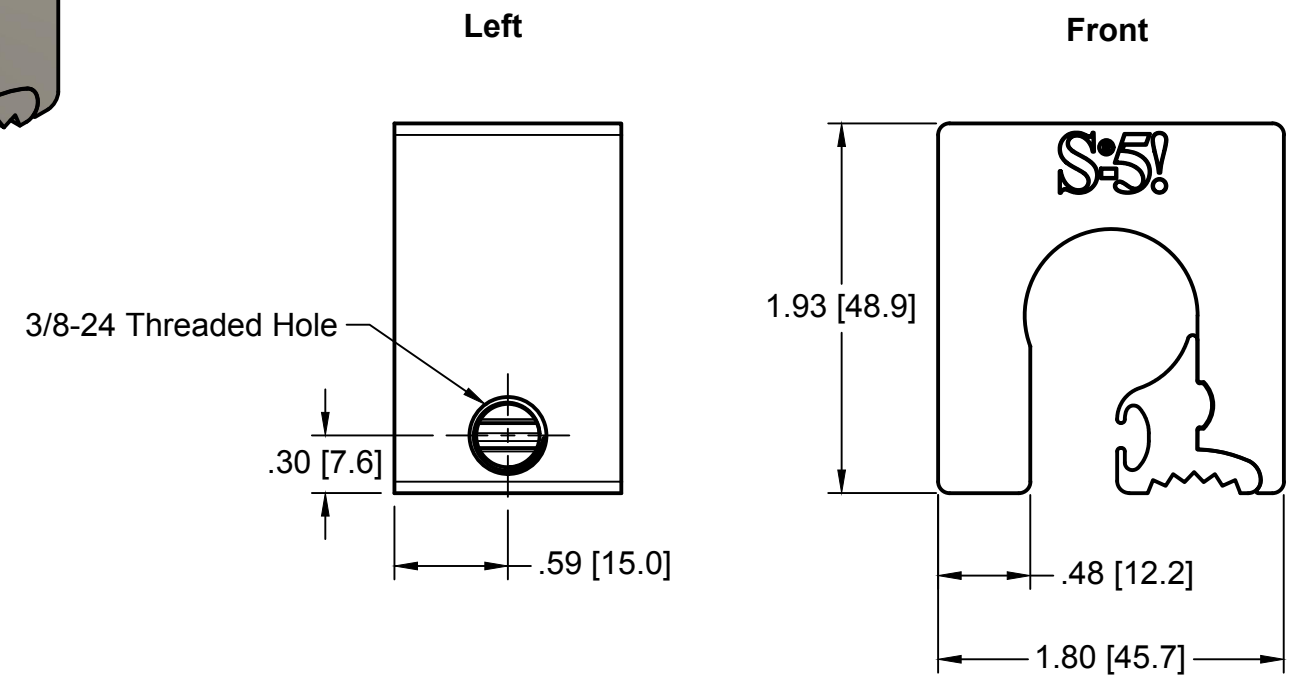
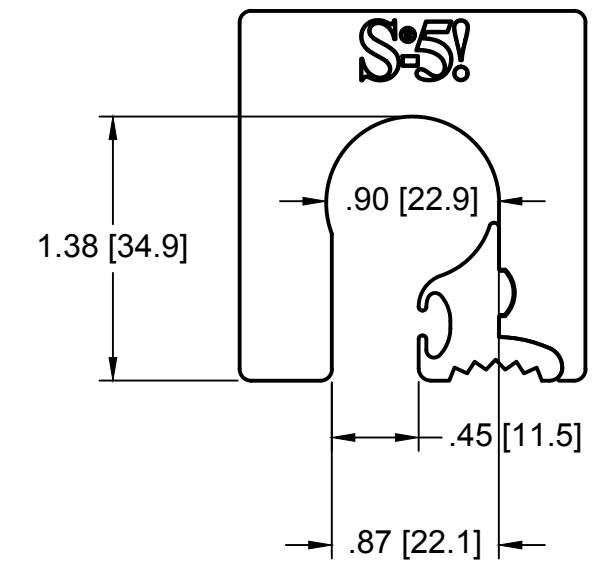
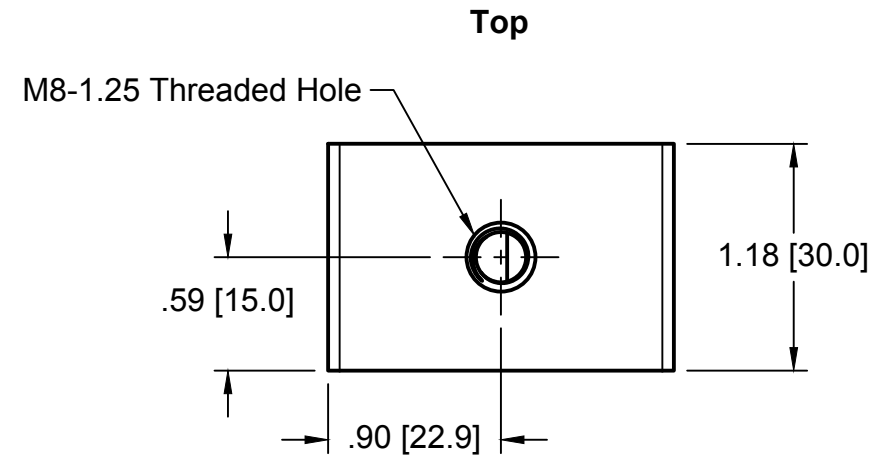
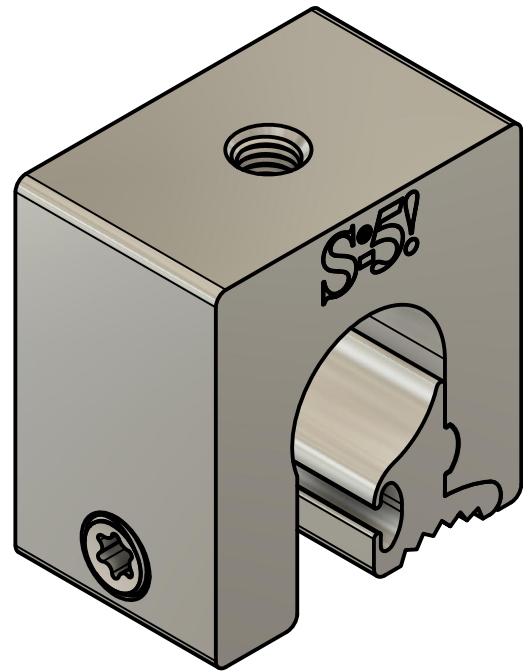
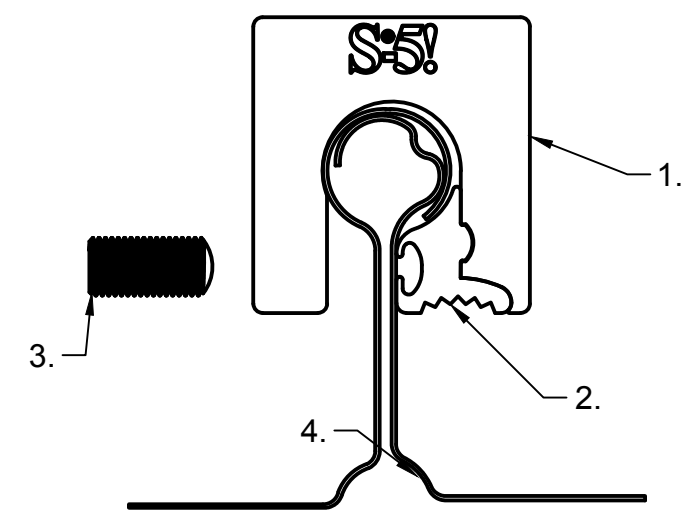


# S-5-Z Mini



**General Notes:**

1. S-5-Z Mini
2. S-5-Z Mini Insert
3. 0.9" 3/8-24 T30 Drive SetScrew
4. Example roof



|  |                        |  |               |
|--|------------------------|--|---------------|
| MATERIAL:<br>6000 Series AL  |                        | METAL ROOF INNOVATIONS, LTD.<br>8750 WALKER RD<br>COLORADO SPRINGS, CO 80908<br>719-495-0518<br>719-495-0045 (FAX) |               |
| EST ASSEMBLY WT:<br>0.272 lbs  |                        | TITLE<br>S-5-Z MINI [CCD]  |               |
| HARDWARE:<br>0.9" 3/8-24 T30 Drive SetScrew  | DRAWING NO. Z12-A-25-A | DRAWN BY SNLR  | DATE 3/4/2022 |
|  | SCALE 1:1              | FILE NAME Z12-A-25-A (S-5-Z MINI) [CCD]  |               |
| S-5!® PRODUCTS ARE PROTECTED BY MULTIPLE U.S. AND FOREIGN PATENTS.<br>VISIT OUR WEBSITE AT WWW.S-5.COM FOR COMPLETE INFORMATION ON<br>PATENTS AND TRADEMARKS |                        |  |               |