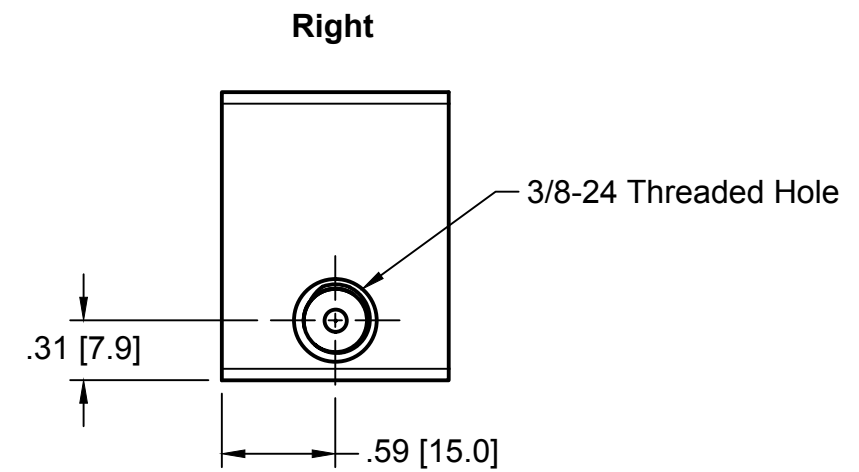
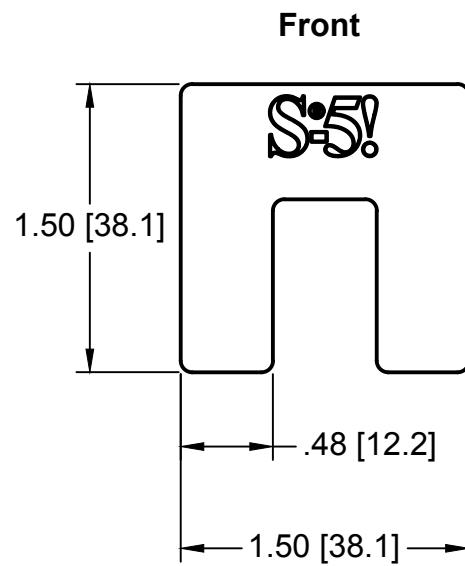
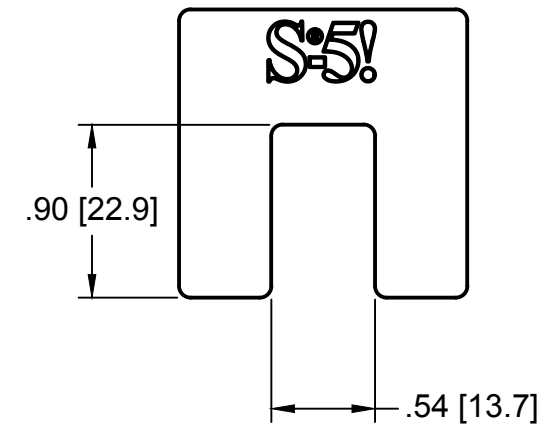
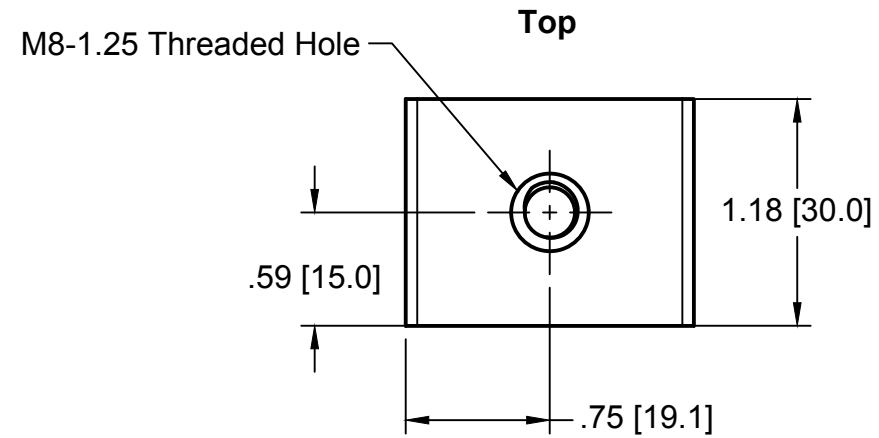
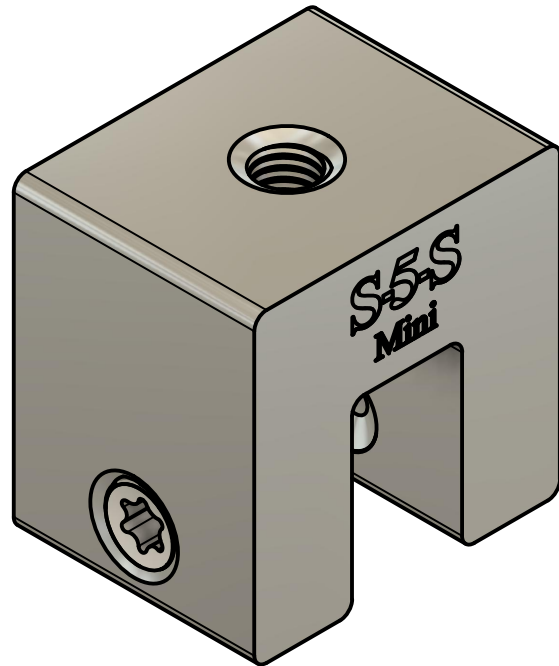
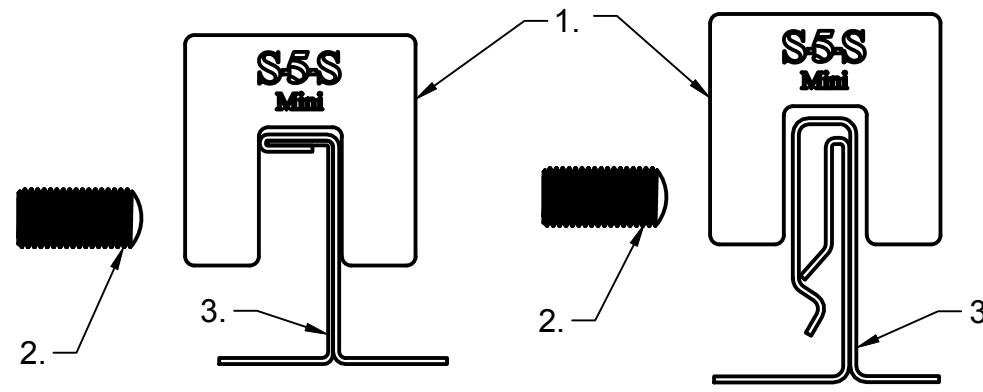



S-5-S Mini



General Notes:

1. S-5-S Mini
2. 0.9" 3/8-24 T30 Drive SetScrew
3. Example roof



MATERIAL: 6000 Series AL			METAL ROOF INNOVATIONS, LTD.	
EST ASSEMBLY WT: 0.214 lbs			8750 WALKER RD COLORADO SPRINGS, CO 80908 719-495-0518 719-495-0045 (FAX)	
HARDWARE: 0.9" 3/8-24 T30 Drive SetScrew	TITLE S-5-S MINI [CCD]			
	DRAWING NO. S08-A-25-A	DRAWN BY SNLR	DATE 3/2/2022	
	SCALE 1:1	FILE NAME S08-A-25-A (S-5-S MINI) [CCD]		
S-5!® PRODUCTS ARE PROTECTED BY MULTIPLE U.S. AND FOREIGN PATENTS. VISIT OUR WEBSITE AT WWW.S-5.COM FOR COMPLETE INFORMATION ON PATENTS AND TRADEMARKS				