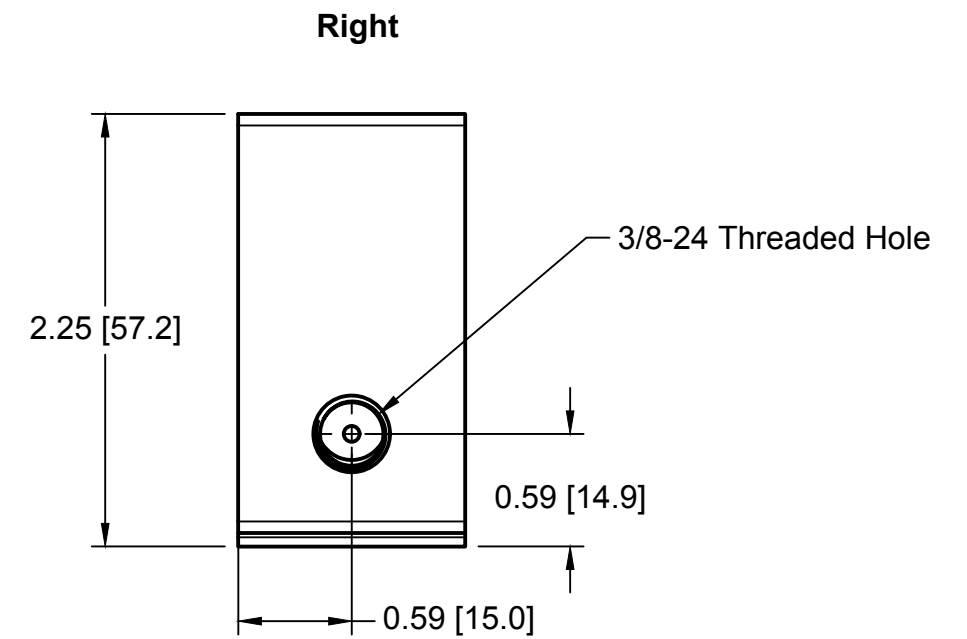
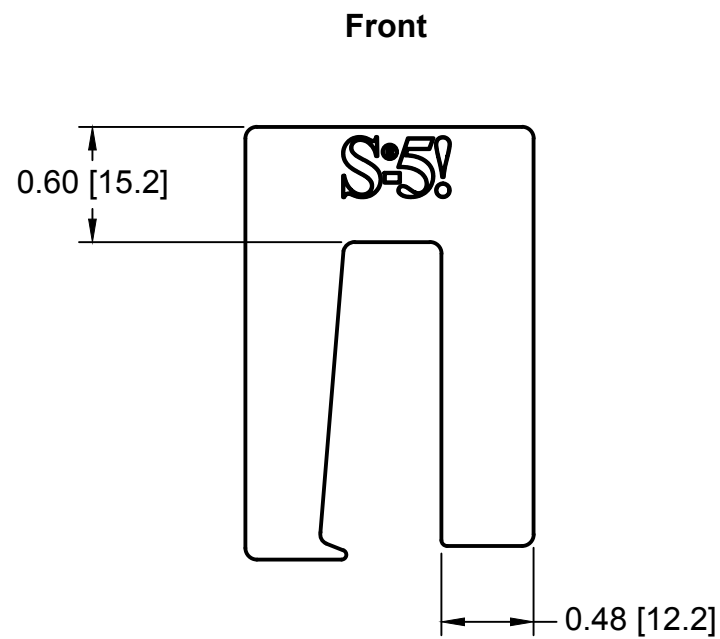
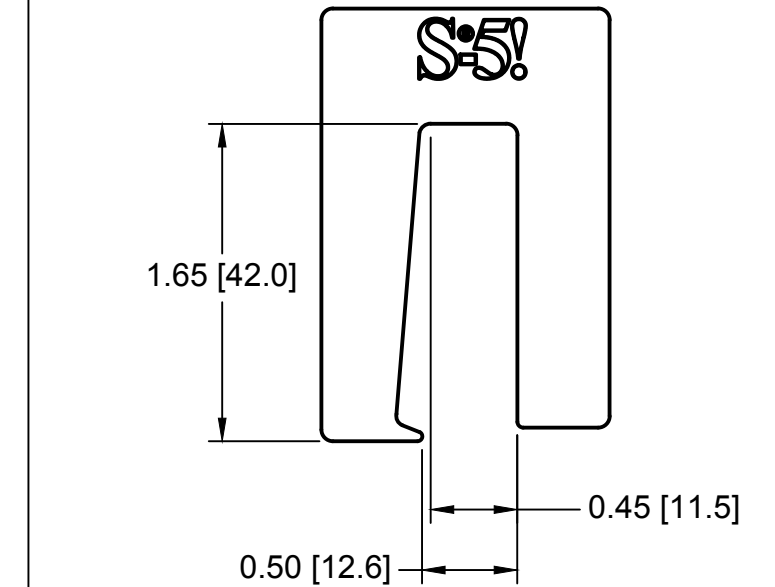
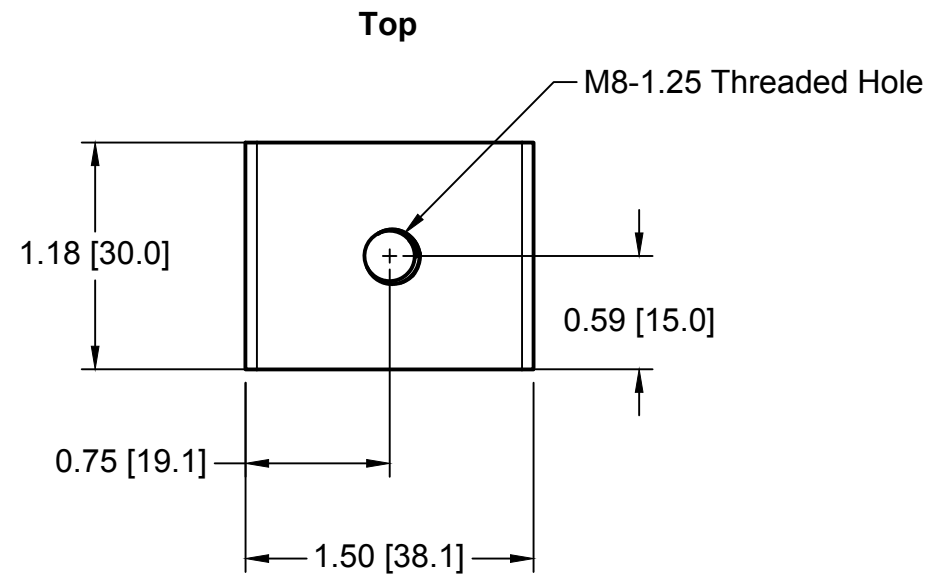
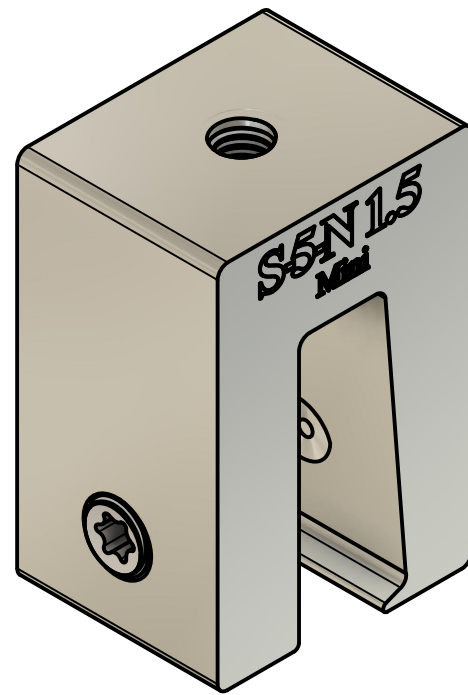
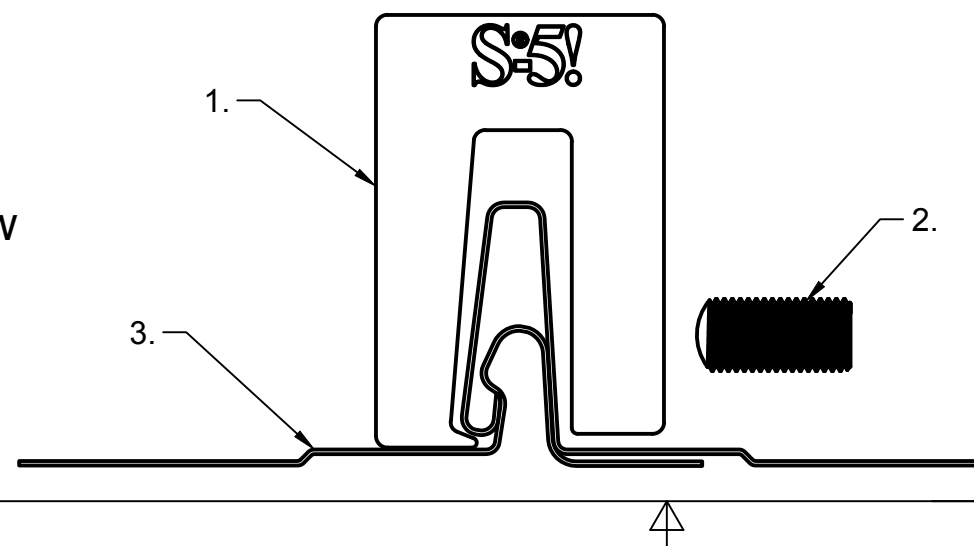



# S-5-N 1.5 Mini



## General Notes:

1. S-5-N 1.5 Mini
2. 0.9" 3/8-24 T30 Drive SetScrew
3. Example roof



MATERIAL: 6000 Series AL		METAL ROOF INNOVATIONS, LTD. 8750 WALKER RD COLORADO SPRINGS, CO 80908 719-495-0518 719-495-0045 (FAX)	
EST ASSEMBLY WT: 0.284 lbs			
HARDWARE: 0.9" 3/8-24 T30 Drive SetScrew	TITLE S-5-N 1.5 MINI [CCD]		
	DRAWING NO. N150-A-25-A	DRAWN BY SNLR	DATE 3/1/2022
	SCALE 1:1	FILE NAME N150-A-25-A (S-5-N 1.5 MINI) [CCD]	
S-5!® PRODUCTS ARE PROTECTED BY MULTIPLE U.S. AND FOREIGN PATENTS. VISIT OUR WEBSITE AT WWW.S-5.COM FOR COMPLETE INFORMATION ON PATENTS AND TRADEMARKS			