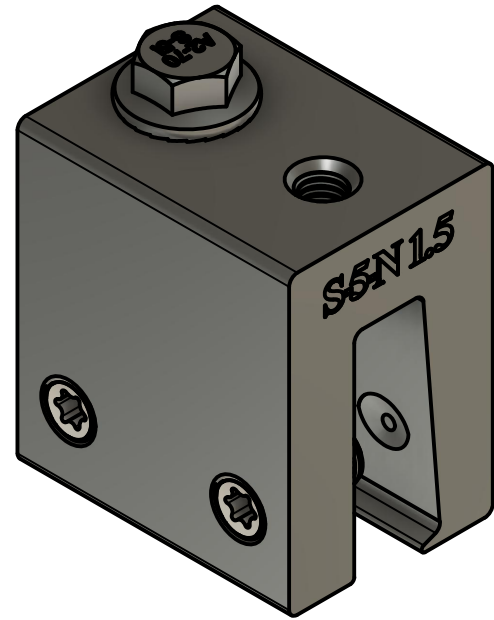
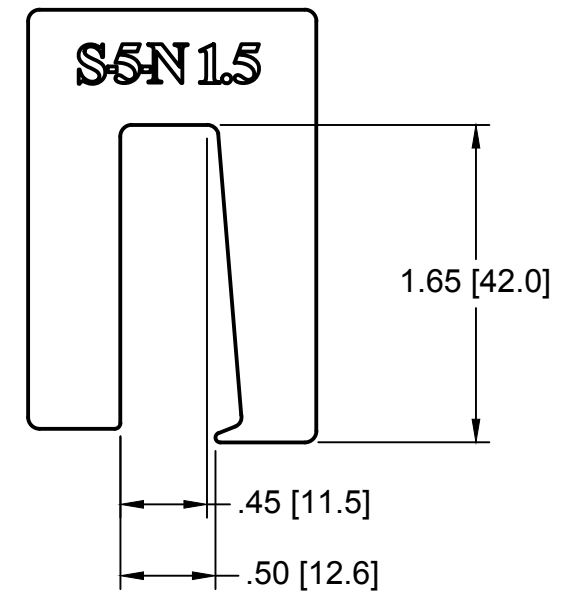
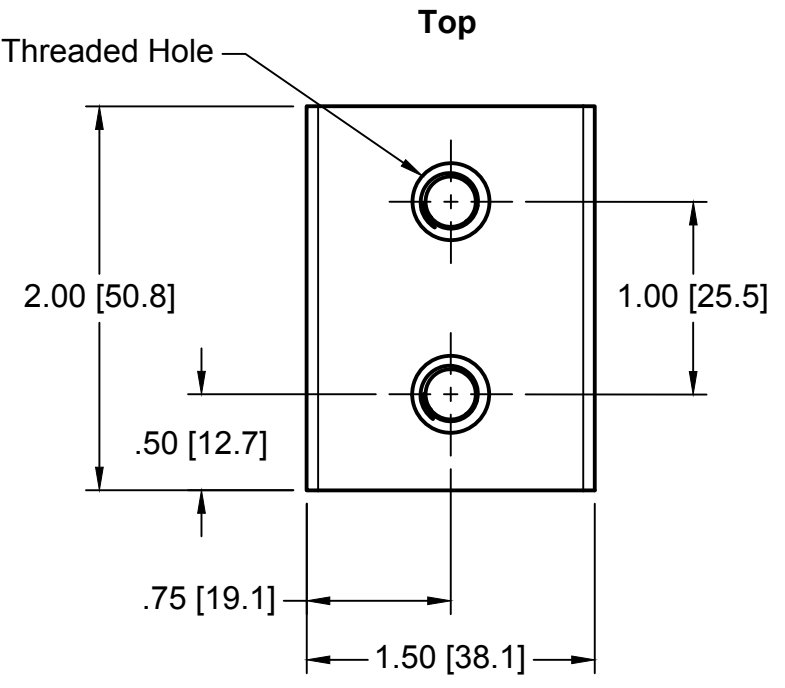


S-5-N 1.5



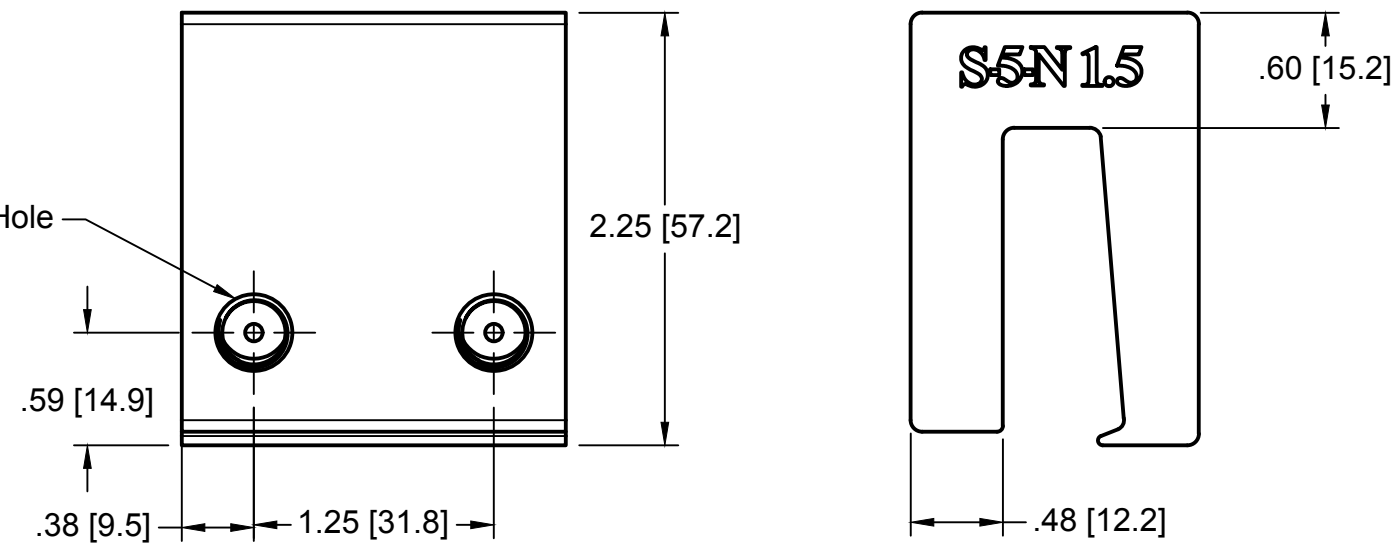
(2X) M8-1.25 Threaded Hole



Left

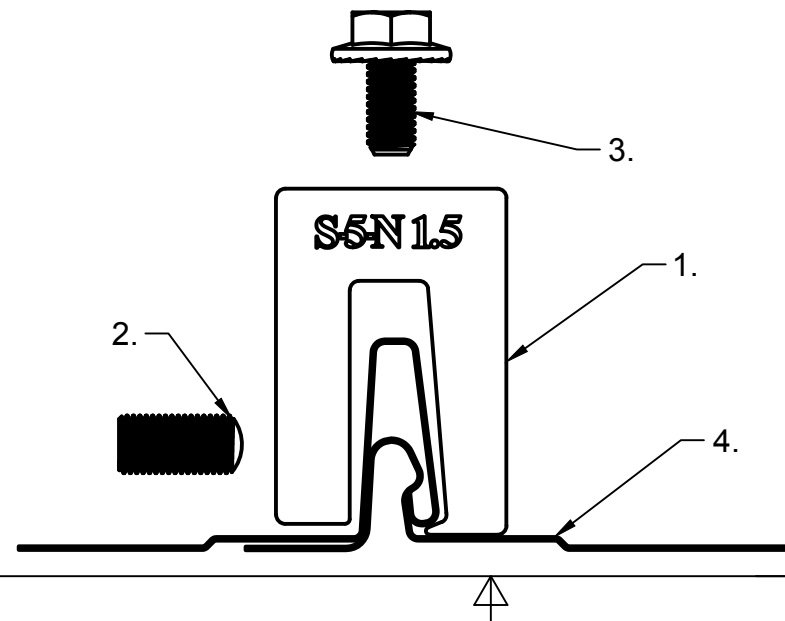
Front

(2X) 3/8-24 Threaded Hole



General Notes:

1. S-5-N 1.5
2. 0.9" 3/8 T30 Drive SetScrew
3. M8-1.25 16 mm Bolt
4. Example roof



MATERIAL:
6000 Series AL
EST ASSEMBLY WT:
0.492 lbs
HARDWARE:
0.9" 3/8 T30 Drive SetScrew, M8-1.25 16 mm Bolt



METAL ROOF INNOVATIONS, LTD.
8750 WALKER RD
COLORADO SPRINGS, CO 80908
719-495-0518
719-495-0045 (FAX)

| | | |
|---------------------------|---|------------------|
| TITLE S-5-N 1.5 [CCD] | | |
| DRAWING NO. N150-A-2-D | DRAWN BY SNLR | DATE 3/9/2022 |
| SCALE 1:1 | FILE NAME N150-A-2-D (S-5-N 1.5) [CCD] | |

S-5!® PRODUCTS ARE PROTECTED BY MULTIPLE U.S. AND FOREIGN PATENTS.
VISIT OUR WEBSITE AT WWW.S-5.COM FOR COMPLETE INFORMATION ON
PATENTS AND TRADEMARKS