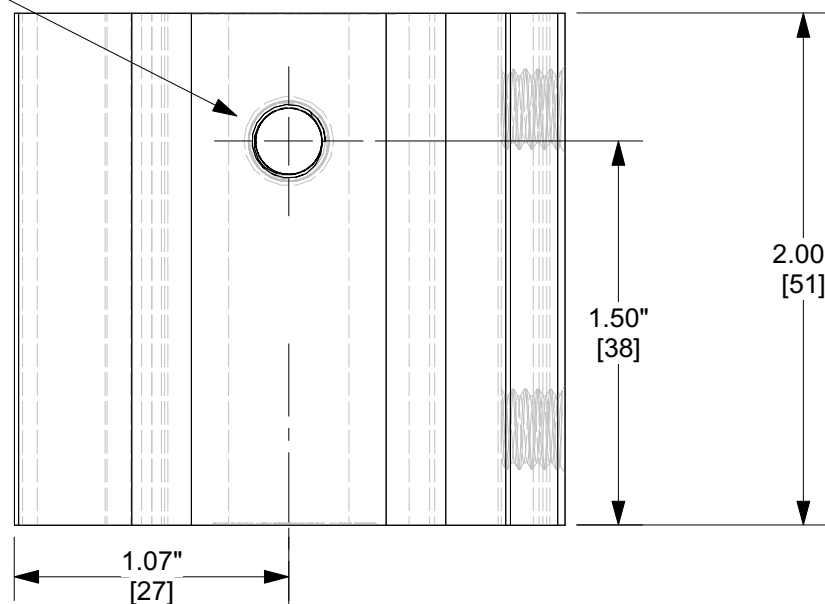


S-5-K SNOW GRIP

S-5-GX 10 (INSERT)

M8-1.25 THREADED HOLE

TOP



1.73" [44]

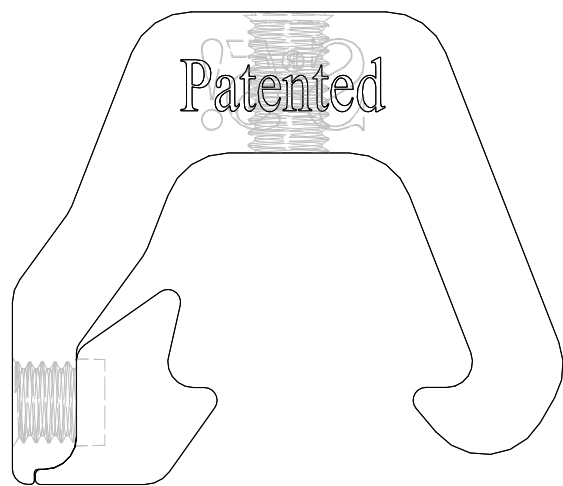
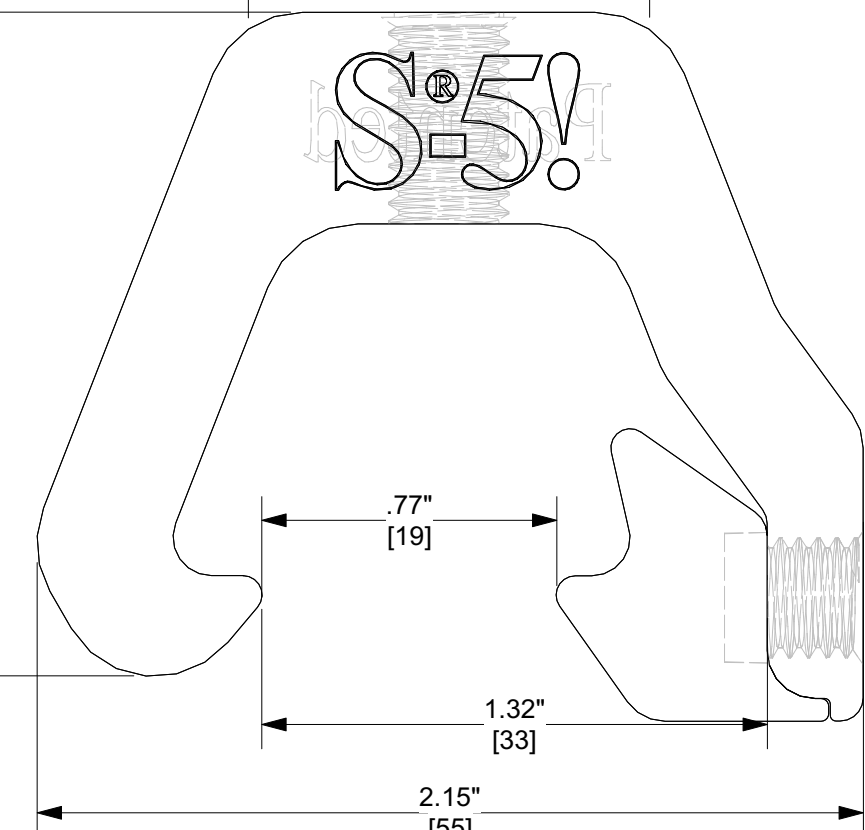
1.05" [27]

.77" [19]

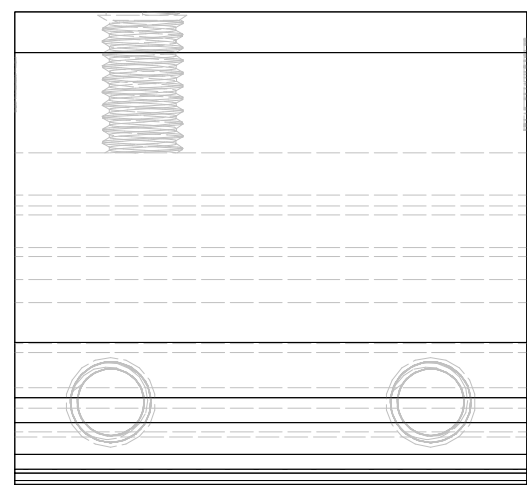
1.32" [33]

2.15" [55]

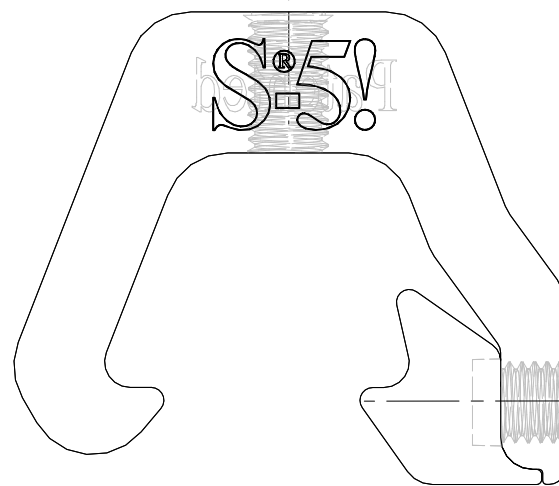
SCALE: 2X



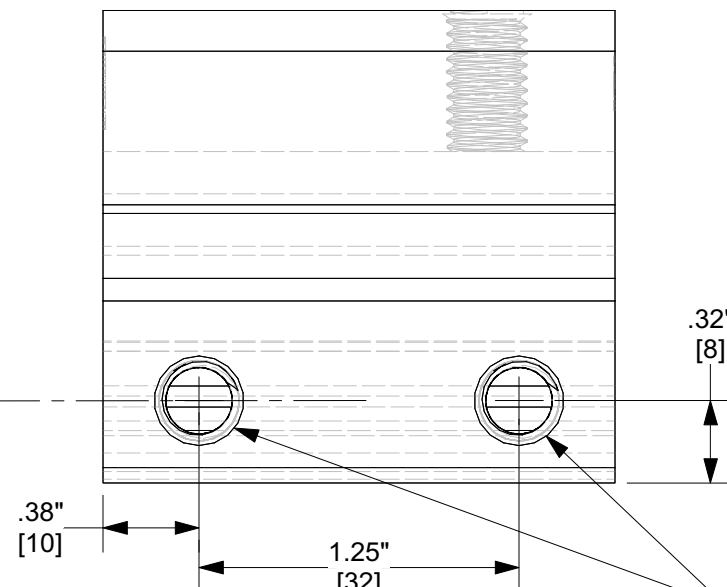
BACK



LEFT



FRONT

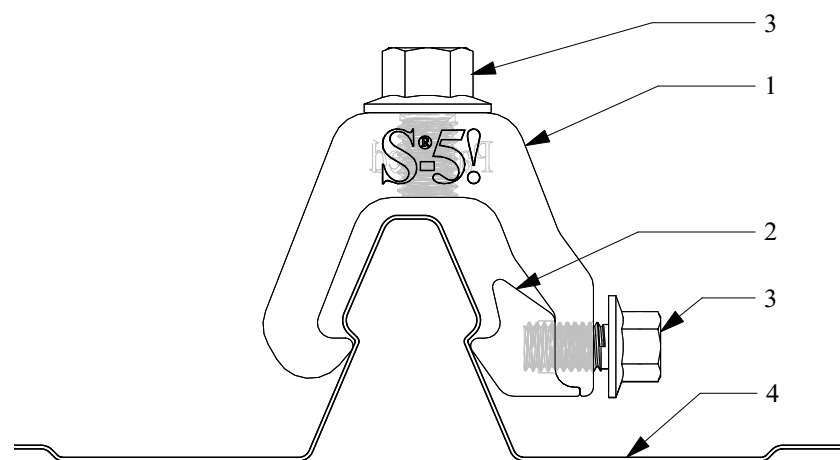


RIGHT


(2X) M8-1.25 THREADED HOLE

General Notes

1. S-5-K GRIP SNOW
2. S-5-GX10 INSERT
3. M8-1.25 16 mm LENGTH 13 mm HEX FLANGE BOLT
4. EXAMPLE ROOF PROFILE



FOR STANDING SEAM SPECIFIC MECHANICAL LOAD TEST INFORMATION AND CLAMP INSTALLATION INFORMATION PLEASE VISIT: WWW.S-5.COM

MATERIAL: 6000 SERIES AL	 <p>S-5! The Right Way!</p>	METAL ROOF INNOVATIONS, LTD. 8655 TABLE BUTTE RD COLORADO SPRINGS, CO 80908 719-495-0518 719-495-0045 (FAX)	
EST ASSEMBLY WEIGHT :			
SUPPLIED HARDWARE: <small>(3) M8-1.25 X 16MM (13MM HEX) 18/8 SS</small>	TITLE S-5-K GRIP WITH GX 10 INSERT		
SCALE: 1:0.75	DRAWING NO. KG47-A 2013	DRAWN BY MS	DATE 02/15/2013
OTHER:	<small>S-5!® PRODUCTS ARE PROTECTED BY MULTIPLE U.S. PATENTS INCLUDING 5,228,248, 5,983,588 AND 6,164,033 (OTHERS ISSUED AND PENDING). EUROPEAN PATENTS ARE ALSO APPLIED FOR AND PENDING UNDER THE PATENT COOPERATION TREATY WITH DIVISIONAL FILING RIGHTS RETAINED. METAL ROOF INNOVATIONS, LTD. (LICENSOR OF S-5!® TECHNOLOGY) AGGRESSIVELY PROSECUTES PATENT INFRINGEMENT.</small>		