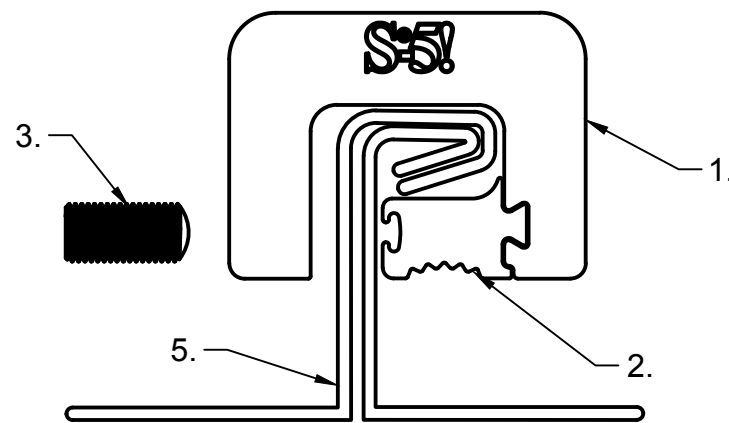
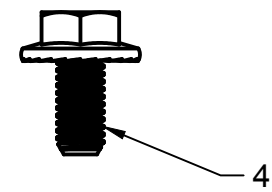
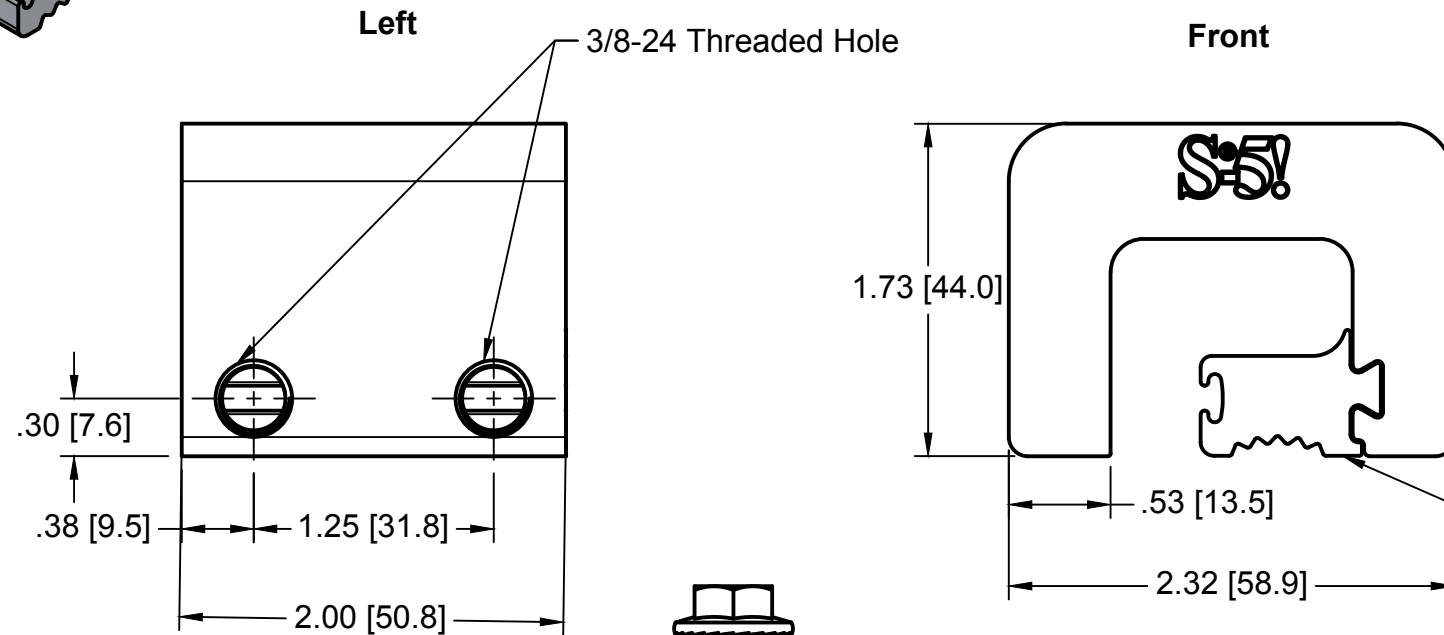
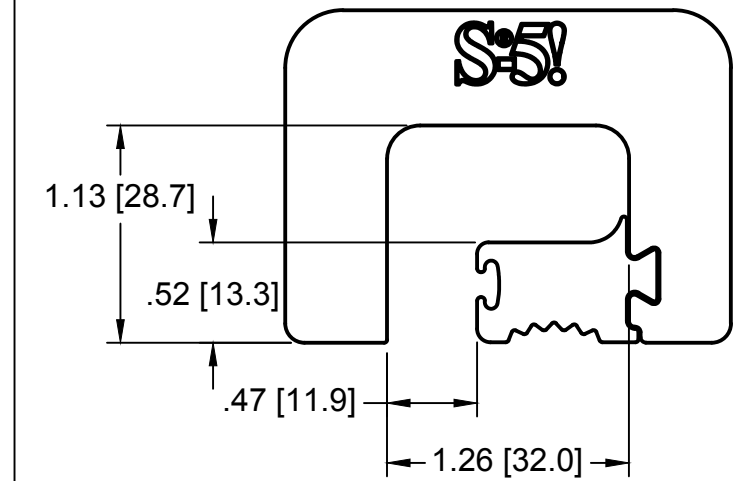
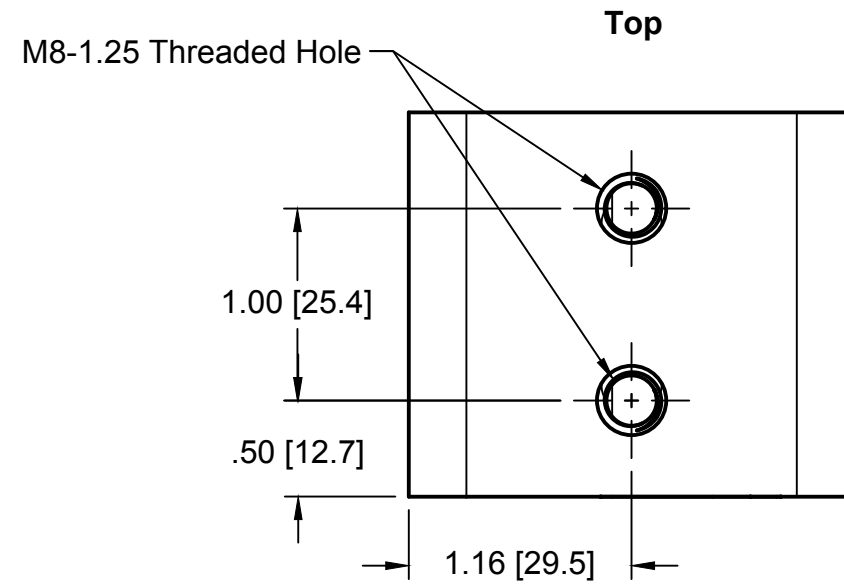
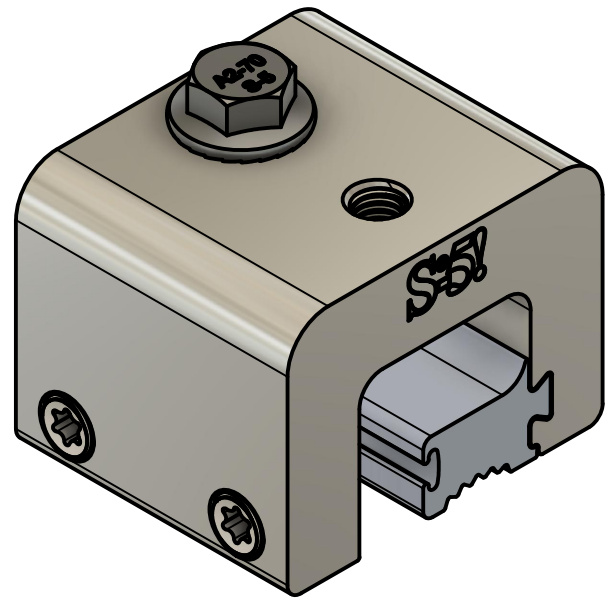


# S-5-H



## General Notes:

1. S-5-H
2. S-5-H Insert
3. 0.9" 3/8-24 T30 Drive SetScrew
4. M8-1.25 16 mm Bolt
5. Example roof

MATERIAL:  
6000 Series AL  
EST ASSEMBLY WT:  
0.728 lbs  
HARDWARE:  
1/2" 3/8-24 T30 Drive SetScrew, M8-1.25 16 mm Bolt



METAL ROOF INNOVATIONS, LTD.  
8750 WALKER RD  
COLORADO SPRINGS, CO 80908  
719-495-0518  
719-495-0045 (FAX)

TITLE: S-5-H [CCD]  
DRAWING NO.: H26-A-0-E DRAWN BY: SNLR DATE: 3/7/2022  
SCALE: 1:1 FILE NAME: H26-A-0-E (S-5-H) [CCD]

S-5!® PRODUCTS ARE PROTECTED BY MULTIPLE U.S. AND FOREIGN PATENTS.  
VISIT OUR WEBSITE AT WWW.S-5.COM FOR COMPLETE INFORMATION ON  
PATENTS AND TRADEMARKS