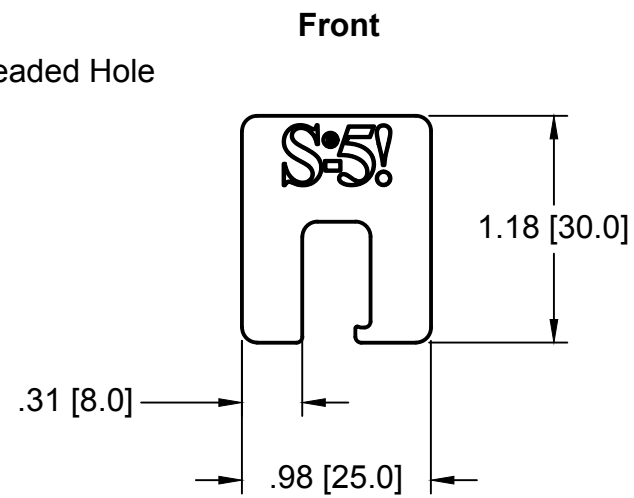
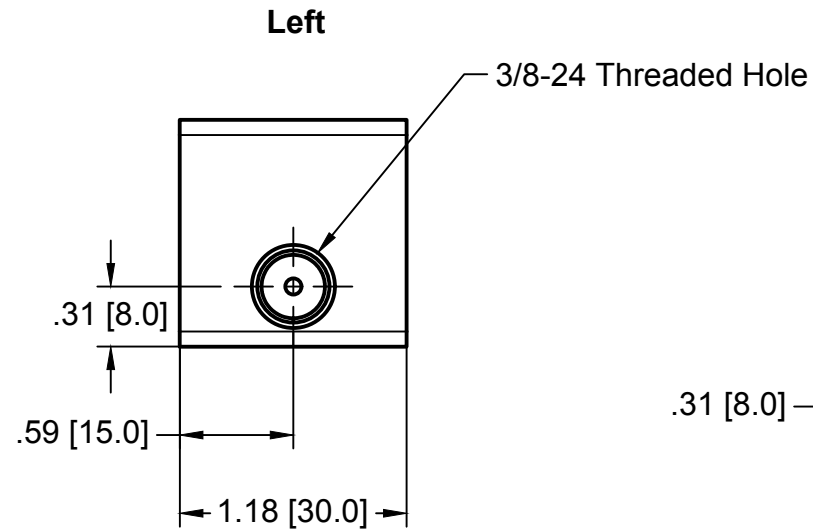
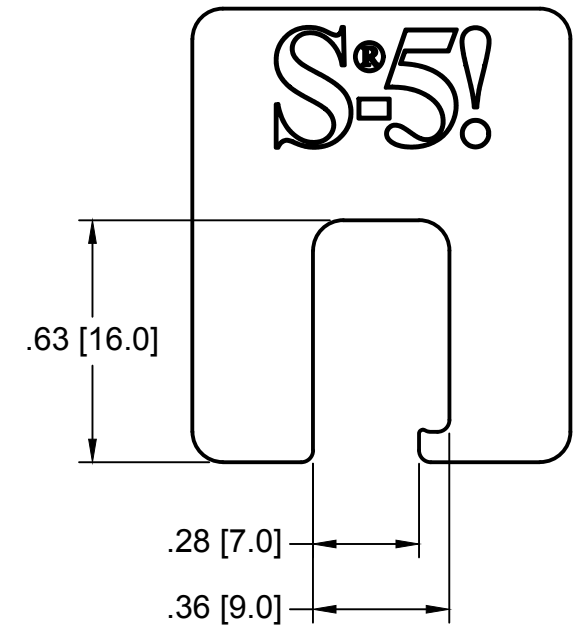
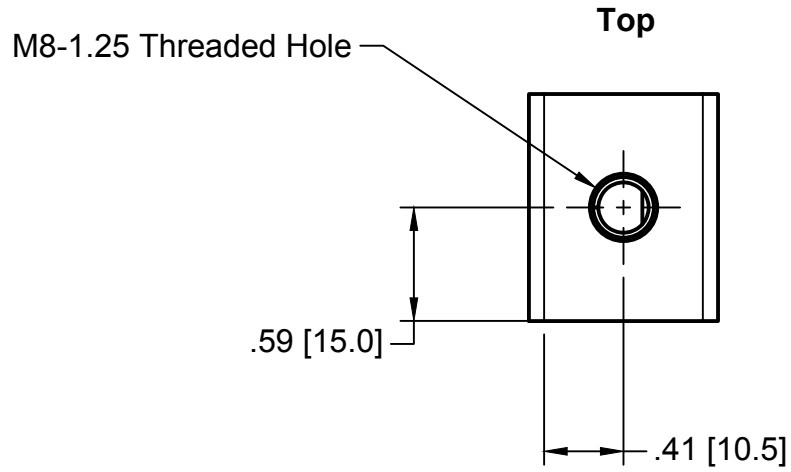
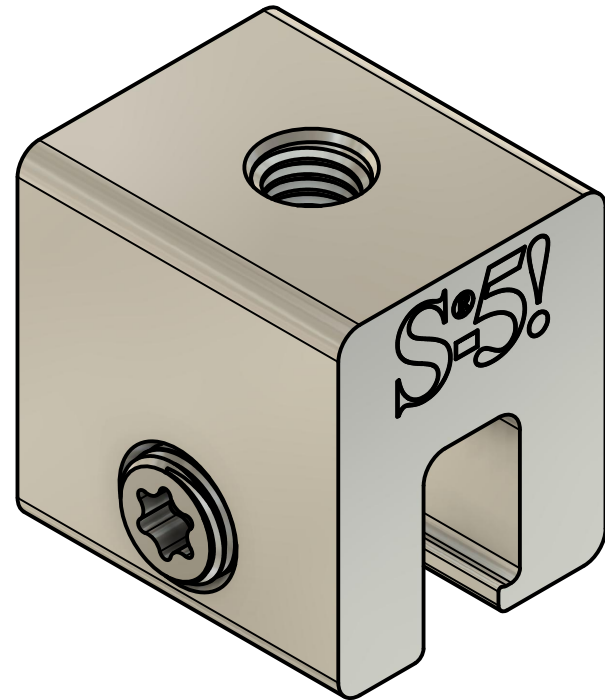
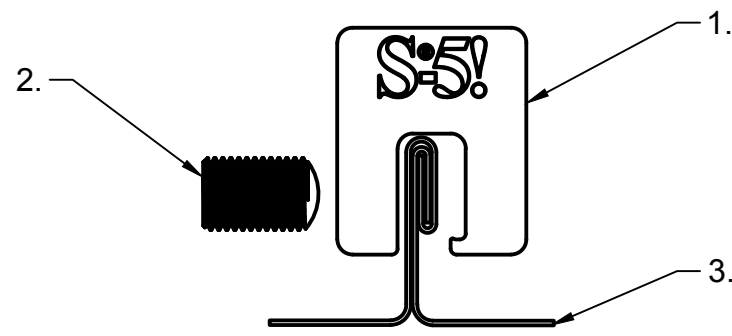


# S-5-E Mini



## General Notes:

1. S-5-B Mini Clamp
2. 0.5" 3/8-24 T30 Drive SetScrew
3. Example roof



MATERIAL: 6000 Series AL	<b>S-5!</b> ®	METAL ROOF INNOVATIONS, LTD.	
EST ASSEMBLY WT: 0.116 lbs		8750 WALKER RD COLORADO SPRINGS, CO 80908 719-495-0518 719-495-0045 (FAX)	
HARDWARE: 0.5" 3/8 T30 Drive SetScrew	TITLE S-5-E MINI		
	DRAWING NO. E03-B-25-A	DRAWN BY SNLR	DATE 2/25/2022
	SCALE 1:1	FILE NAME E03-B-25-A (S-5-E MINI) [CCD]	
S-5!® PRODUCTS ARE PROTECTED BY MULTIPLE U.S. AND FOREIGN PATENTS. VISIT OUR WEBSITE AT WWW.S-5.COM FOR COMPLETE INFORMATION ON PATENTS AND TRADEMARKS			