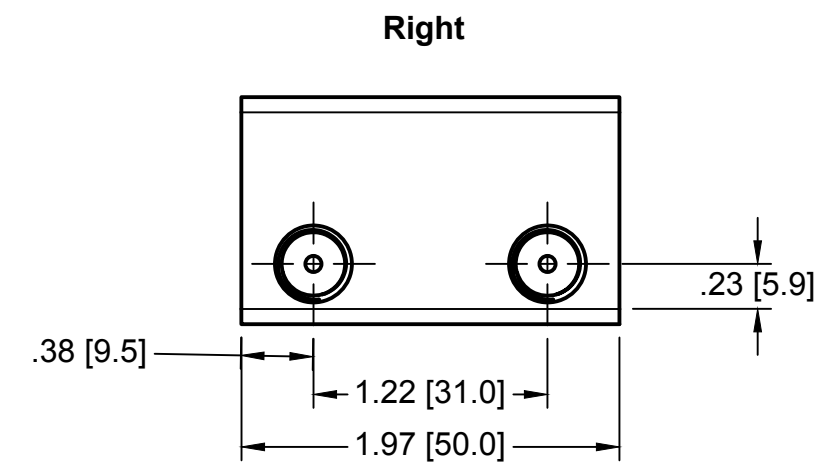
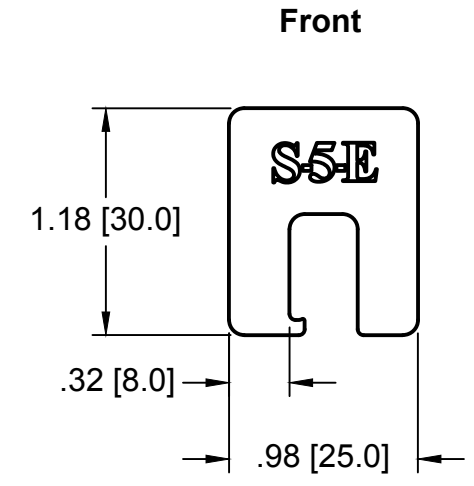
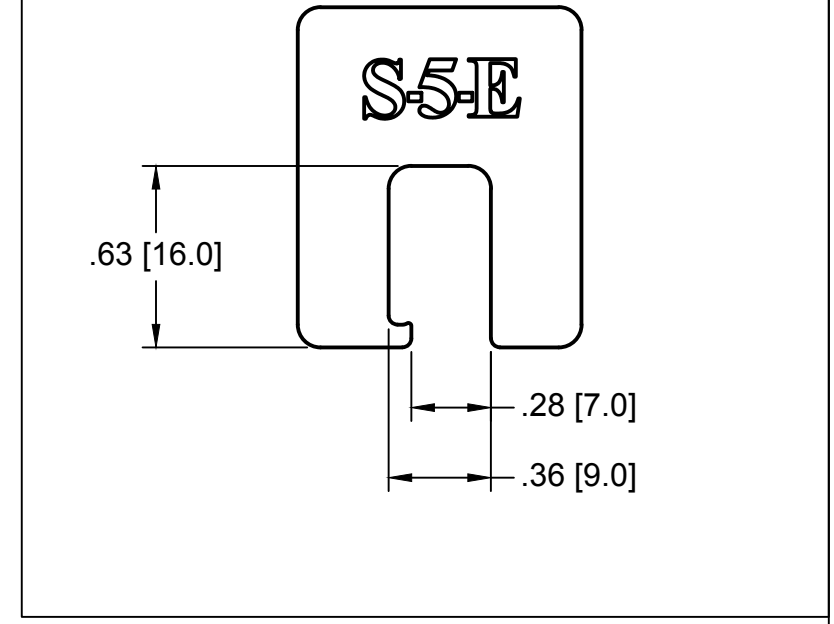
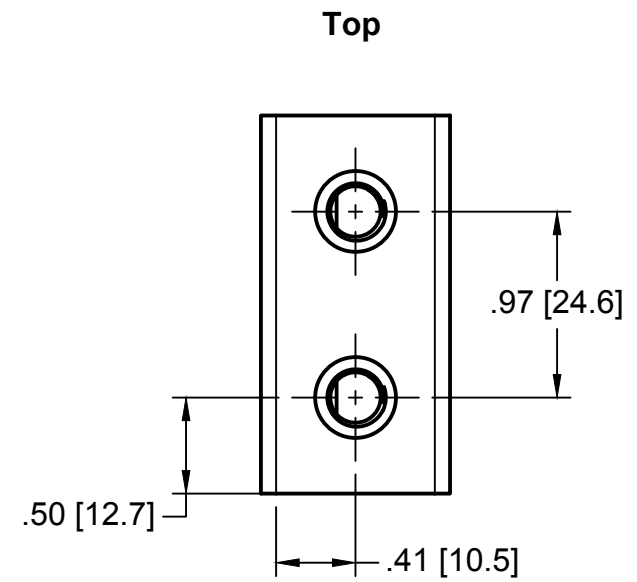
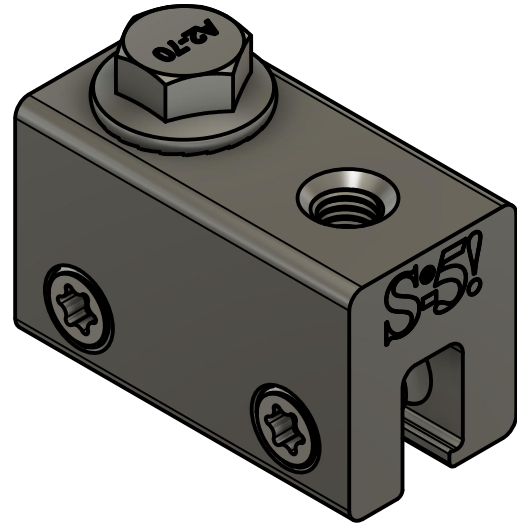
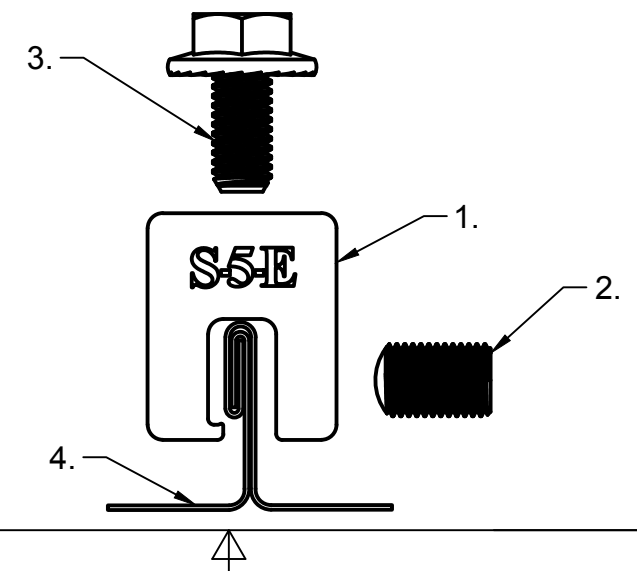


S-5-E



General Notes:

1. S-5-E
2. 0.5" 3/8-24 T30 Drive SetScrew
3. M8-1.25 16 mm Bolt
4. Example roof



MATERIAL: 6000 Series AL		METAL ROOF INNOVATIONS, LTD. 8750 WALKER RD COLORADO SPRINGS, CO 80908 719-495-0518 719-495-0045 (FAX)	
EST ASSEMBLY WT: 0.207 lbs		TITLE S-5-E [CCD]	
HARDWARE: 1/2" 3/8-24 T30 Drive SetScrew, M8-1.25 16 mm Bolt	DRAWING NO. E03-B-18-D	DRAWN BY SNLR	DATE 3/7/2022
	SCALE 1:1	FILE NAME E03-B-18-D (S-5-E) [CCD]	
S-5!® PRODUCTS ARE PROTECTED BY MULTIPLE U.S. AND FOREIGN PATENTS. VISIT OUR WEBSITE AT WWW.S-5.COM FOR COMPLETE INFORMATION ON PATENTS AND TRADEMARKS			