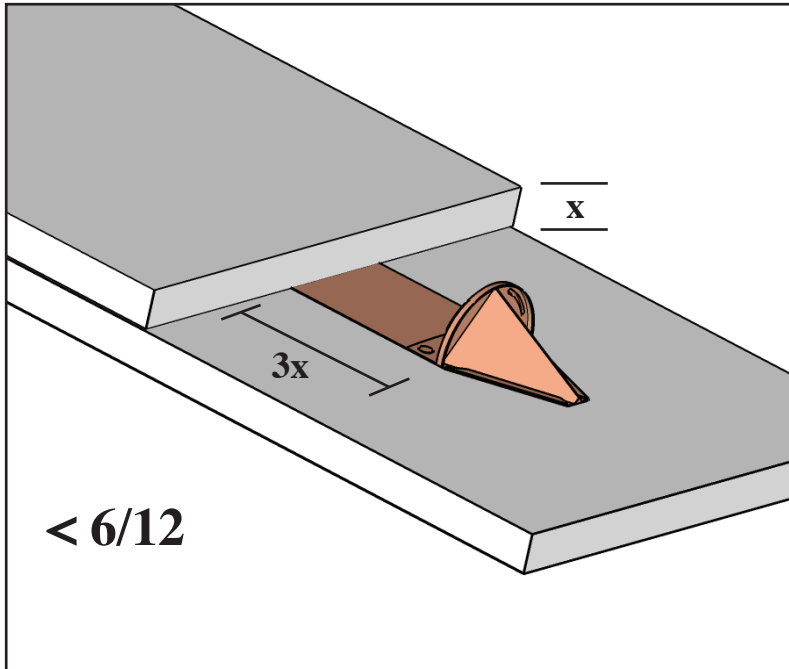


## Snow Guard Placement for Shingle Style Roofs (Asphalt Shingle, Tile, Slate, Synthetics, Metal Shingle)



### Less than a 6/12 Pitch

For roofs less than a 6/12 pitch, the distance between the butt end and the pad face must be a minimum of 3x the thickness of the roofing material.

### Greater than a 6/12 Pitch

For roofs greater than a 6/12 pitch, the distance between the butt end and the pad face must be a minimum of 6x the thickness of the roofing material.

