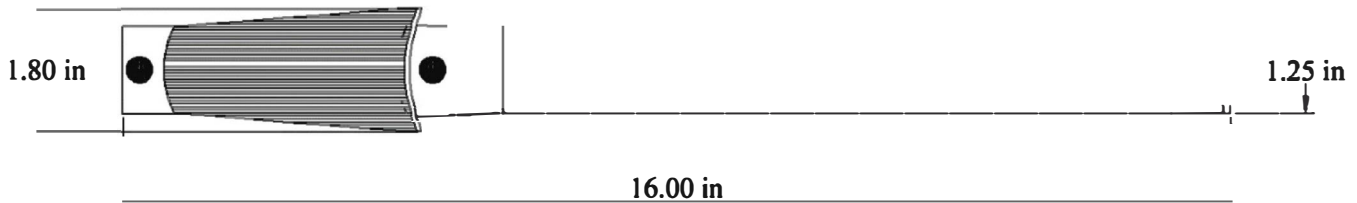
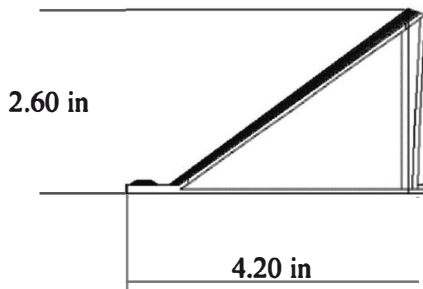
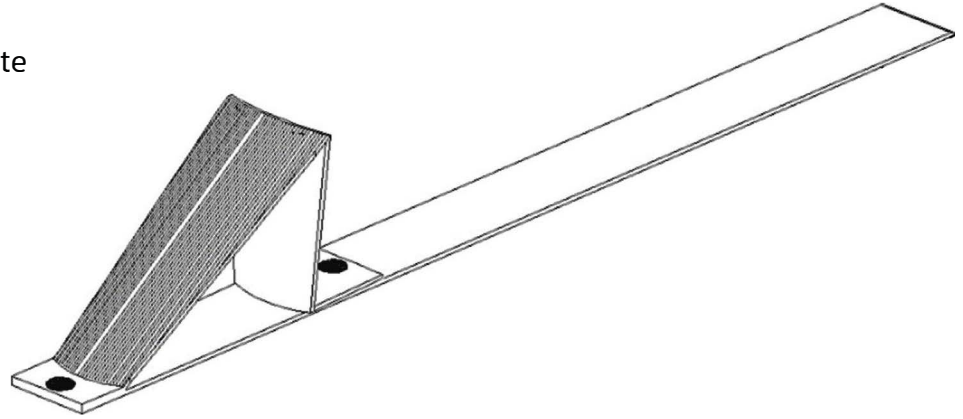




Typically installed on:
- New Synthetic Shake or Slate



RG16S - For Concrete Tile Roofs

MATERIAL:

- Powder Coated EG Steel
- Powder Coated Aluminum
- Mill Finish Aluminum
- Copper

NOTES:

1. Snow guards are to be installed to manufacturer's specifications.
2. Contact manufacturer for selected layout.
3. For custom materials contact manufacturer.
4. Other sizes are available on a custom basis.