



# Rocky Mountain Snow Guards Inc

ROCKY MOUNTAIN SNOW GUARDS  
4231 S. NATCHES COURT, UNIT C  
ENGLEWOOD, CO 80110  
PHONE: (877) 414-7606  
FAX: (720) 387-8361  
[www.rockymountainsnowguards.com](http://www.rockymountainsnowguards.com)

## YETI 18 SNOW GUARD SYSTEM

### AVAILABLE MATERIALS:

- COPPER
- PAINTED ALUMINUM



### INFORMATION:

- Classic 1/2 Round Design
- Light gage metal strap allows for simple nail attachment on new roofs and exposed screw fastening on existing roofs.
- Pad area is 4.17 square inches
- Overall length is 18", Strap length is 15.75"
- Excellent Choice for:
  - New synthetic shingle roofs with higher snow loads and/or steeper pitches
  - New natural slate roofs with higher snow loads and/or steeper pitches
  - New tile roofs fastened directly to deck with higher snow loads and/or steeper pitches
  - New wood shingle and shake roofs with higher pitches and/or higher snow loads

### EXAMPLES:



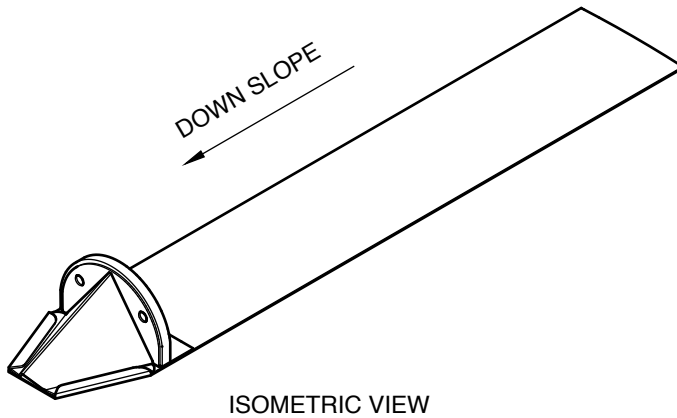


# Rocky Mountain Snow Guards Inc

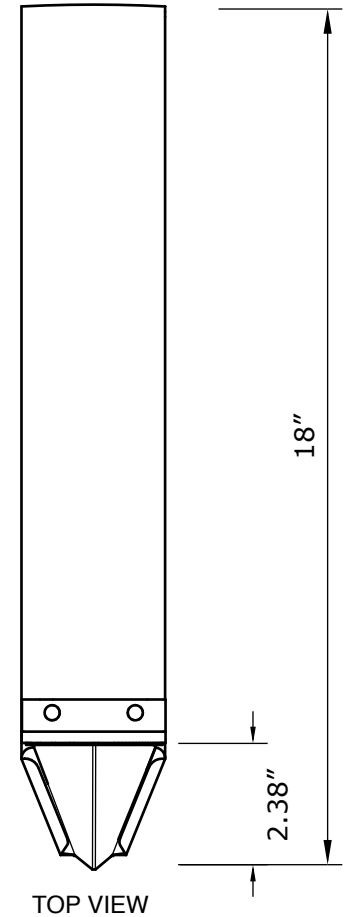
ROCKY MOUNTAIN SNOW GUARDS  
4231 S. NATCHES COURT, UNIT C  
ENGLEWOOD, CO 80110  
PHONE: (877) 414-7606  
FAX: (720) 387-8361  
www.rockymountainsnowguards.com

## YETI 18

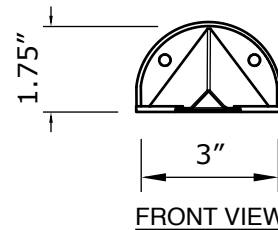
- SELECT DESIRED MATERIAL:
- COPPER - 20 OZ
  - PAINTED ALUMINUM - 0.040"



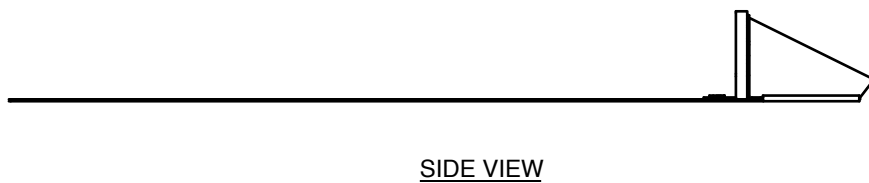
ISOMETRIC VIEW



TOP VIEW



FRONT VIEW



SIDE VIEW

### MANUFACTURER NOTES:

1. CONTACT MANUFACTURER FOR SPECIFIED LAYOUT PATTERN.
2. FOR CUSTOM MATERIALS CONTACT MANUFACTURER.
3. OTHER SIZES ARE AVAILABLE ON A CUSTOM BASIS.

### NOTES:

1. INSTALLATION TO BE COMPLETED IN ACCORDANCE WITH MANUFACTURER'S SPECIFICATIONS.
2. DO NOT SCALE DRAWING.



# Rocky Mountain Snow Guards Inc

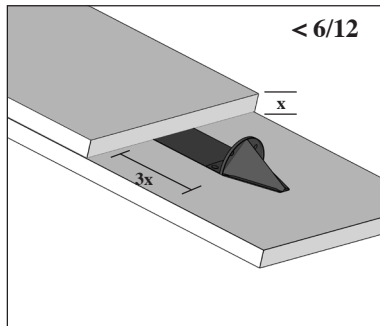
ROCKY MOUNTAIN SNOW GUARDS  
4231 S. NATCHES COURT, UNIT C  
ENGLEWOOD, CO 80110  
PHONE: (877) 414-7606  
FAX: (720) 387-8361  
www.rockymountainsnowguards.com

## INSTALLATION INSTRUCTIONS

### SNOW GUARD PLACEMENT FOR SHINGLE STYLE ROOFS (Asphalt Shingle, Tile, Slate, Synthetics, Metal Shingle)

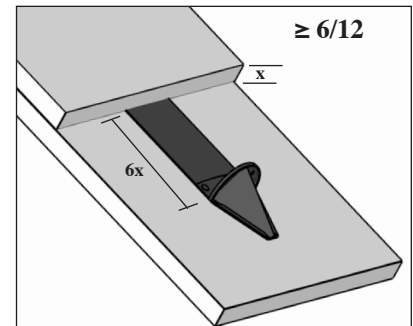
#### Less than a 6/12 Pitch

For roofs less than 6/12 pitch, the distance between the butt end and the pad face must be a minimum of  $3x$  the thickness of the roofing material.

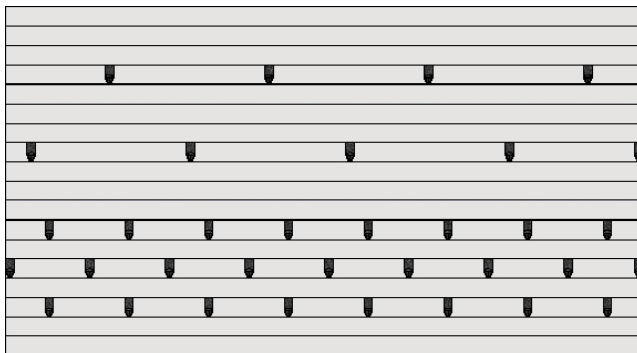


#### Greater than or equal to 6/12 Pitch

For roofs greater than 6/12 pitch, the distance between the butt end and the pad face must be a minimum of  $6x$  the thickness of the roofing material.



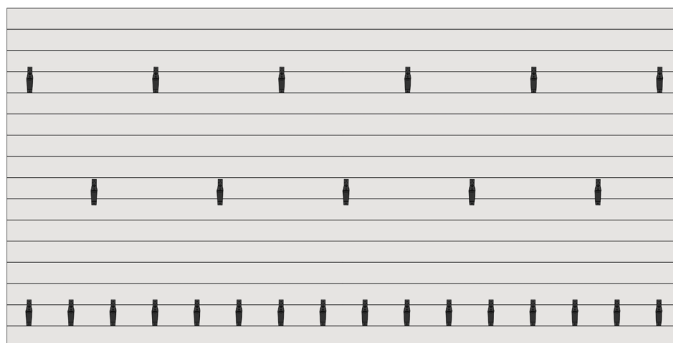
### EXAMPLE PATTERNS: (Specified pattern and dimensions are dependent on individual roof characteristics.)



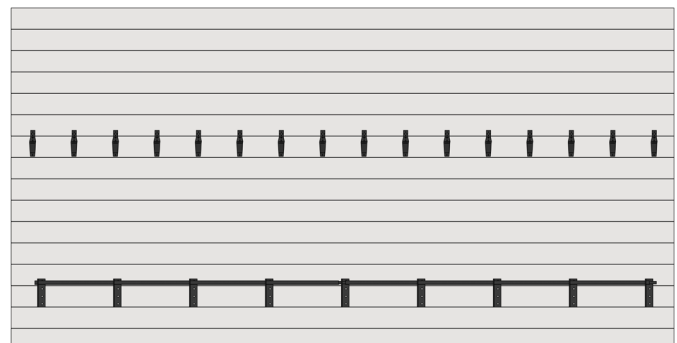
TRADITIONAL SPREAD PATTERN



MULTIPLE SOLDIER ROW



SOLDIER ROW WITH SPREAD PATTERN



SNOW FENCE WITH SOLDIER ROW



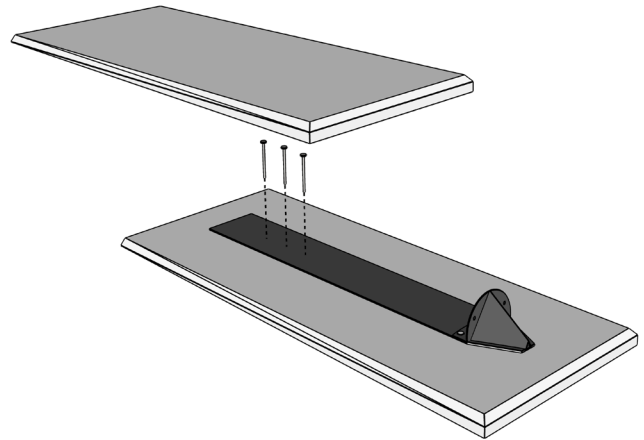
# Rocky Mountain Snow Guards Inc

ROCKY MOUNTAIN SNOW GUARDS  
4231 S. NATCHES COURT, UNIT C  
ENGLEWOOD, CO 80110  
PHONE: (877) 414-7606  
FAX: (720) 387-8361  
www.rockymountainsnowguards.com

## INSTALLATION INSTRUCTIONS CONTINUED

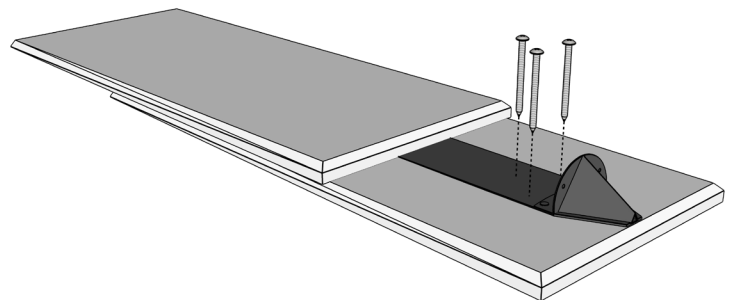
### NEW ROOF

1. Follow recommended layout pattern for specific roof and snow situation following the Rocky Mountain Snow Guard Layout Guide.
2. Mark location of each snow guard.
3. Fasten snow guard with appropriate quantity and type of fasteners:
  - ST / Yeti: Fasten through top 3" of strap.
  - RG: Fasten through fastening holes in strap.
4. Continue shingling roof.



### EXISTING ROOF

1. Follow recommended layout pattern for specific roof and snow situation following the Rocky Mountain Snow Guard Layout Guide.
2. Mark location of each snow guard and apply appropriate sealant to shingle where fasteners will penetrate.
3. Attach with 2 or 3 Woodbinder Eclipse #10 screws:
  - ST / Yeti: Fasten through exposed strap.
  - RG: Fasten through fastening holes in strap.



# Yeti 18 Snow Guard Specification Sheet

For synthetic slate and shake, cedar shingles and shakes, slate and tile roof systems

## **PART 1 – GENERAL**

### 1.1 SUMMARY

#### A. WORK INCLUDES

1. Yeti 18 snow guard attaches directly to the roof deck.
2. Coordinate with the installation of the roof to assure proper placement of the snow guards.
3. Provide appropriate snow guard and fasteners for the roof system

#### B. RELATED SECTIONS

1. Section 07600: Flashings and Sheet Metal
2. Section 07310: Shingles
3. Section 07320: Roofing Tiles
4. Division 7: Thermal and Moisture Protection

### 1.2 SYSTEM DESCRIPTION

#### A. COMPONENTS

1. Yeti 18 snow guard system consists of individual metal snow guards
2. Fasteners
  - a. To be of metal compatible with snow guards
  - b. Fasteners should be selected for compatibility with roof deck
  - c. All snow guards must be mechanically fastened to the roof deck.
3. Sealant
  - a. To be approved by the roofing material manufacturer

#### B. DESIGN REQUIREMENTS

1. Spacing to be recommended by manufacturer or building engineer.
2. Minimum 3 fasteners per snow guard.
3. It is important to design new structures or assess existing structures to make sure that they can withstand retained snow loads.

### 1.3 SUBMITTAL

- A. Submit manufacturer's specifications, standard detail drawings, recommended layout and installation instructions.

### 1.4 QUALITY ASSURANCE

- A. Installer to be experienced in the installation of specified roofing material and snow guards for not less than 5 years in the area of the project.

### 1.5 DELIVERY / STORAGE / HANDLING

- A. Inspect material upon delivery and order replacements for any missing or defective items. Keep material dry, covered and off the ground until installed.

## **PART 2 – PRODUCTS**

### 2.1 MANUFACTURER

- A. Rocky Mountain Snow Guards, Inc. 4231 S. Natches Court, Unit C, Englewood, CO 80110  
(877) 414-7606 / [www.rockymountainsnowguards.com](http://www.rockymountainsnowguards.com)

2.2 MATERIALS

- A. Copper – all snow guard components are 20 oz. copper.
- B. Aluminum – All snow guard components are .040 Aluminum

2.3 FINISH

- A. Mill Finish
- B. Kynar 500 pre finished sheet – Aluminum only.
- C. Powder Coated, exterior grade powder only.

**PART 3 – EXECUTION**

3.1 EXAMINATION

- A. Substrate
  - 1. Inspect structure to verify that roofing structure will withstand additional retained snow loads. Notify owner or general contractor of any deficiencies before installing snow guards.
  - 2. Verify that roofing material has been installed properly prior to installing snow guards.

3.2 INSTALLATION

- A. Comply with architectural drawings for location and with Manufacturer’s instructions for installation and layout.

07 72 53 Snow Guards

Rocky Mountain Snow Guards, Inc., 4231 S. Natches Court, Unit C, Englewood, CO 80110  
(877) 414-7606 / [www.rockymountainsnowguards.com](http://www.rockymountainsnowguards.com)



# Rocky Mountain Snow Guards Inc

ROCKY MOUNTAIN SNOW GUARDS  
4231 S. NATCHES COURT, UNIT C  
ENGLEWOOD, CO 80110  
PHONE: (877) 414-7606  
FAX: (720) 387-8361  
[www.rockymountainsnowguards.com](http://www.rockymountainsnowguards.com)

## Rocky Mountain Snow Guards Snow Retention System Maintenance Guide

Systems designed by Rocky Mountain Snow Guards, installed properly should last the life of the roof. Rocky Mountain does not recommend adhesive tape or sealant attachment for any snow fence or snow guard system. Rocky Mountain snow retention systems installed on commercial buildings, above high traffic areas or in areas with high snow loads should be inspected by a qualified roofing or snow retention professional on an annual basis to ensure the system will continue to perform as designed.

### Bolt Down Snow Fence Systems:

1. Inspect brackets, snow fence components and fasteners for evidence of damage.
2. Replace damaged parts prior to the next snow season.

### Clamp to Seam Snow Fence and Snow Bar Systems:

1. Inspect brackets, snow fence and snow bar components for evidence of damage.
2. Replace damaged parts prior to the next snow season.
3. Check torque on set screws with an appropriate torque wrench.
4. Torque set screws to recommended torque. This is especially important after the 1st snow season.

### Snow Guards:

1. Inspect snow guards for evidence of damage.
2. Inspect exposed fasteners.
3. Replace damaged parts prior to the next snow season.

We design our systems for roof snow loads as shown on architectural drawings or supplied by building engineers. When those are not available, we calculate the roof snow load using ASCE standards for computing roof snow load based on available ground snow loads. We design to meet the maximum published snow loads for the area. It is possible that extreme weather events or snow drifting can occur that will exceed the maximum published snow load.

Rocky Mountain uses a 2X safety factor for load calculations on most snow retention plans. In some cases, Rocky Mountain may use a 1.5X or 3X safety factor in determining load factors.

We often design snow retention systems for specific roof sections as directed by the customer. We cannot be held responsible for damage from snow slides on roof areas without a RMSG designed snow retention system.

It is possible that snow and ice sliding from an upper roof without a snow retention system onto a lower roof section with snow retention can cause an avalanche from the lower roof to the ground. It is important to retain snow on both upper and lower roofs.

Rocky Mountain assumes no liability for system performance when the quantity of parts ordered differs from the quantity on the snow retention plan prepared by Rocky Mountain.

Clamp-to-seam systems may not perform as designed if the actual panel seam is different than the panel seam information supplied by the customer.

In the event the customer cannot identify the seam type, Rocky Mountain will do its best with the help of S-5! to identify seam. It is possible that the clamp recommended by Rocky Mountain will not perform as intended. In these situations, it is the responsibility of the customer to verify that the clamp fits the actual seam before installing the entire system.

Torque wrenches must be used during the installation of clamp-to-seam systems to obtain the proper torque. If you're not sure of the proper torque for your clamp and seam, contact Rocky Mountain before installation. Both over-tightening and under-tightening will affect the performance of the system.

On steep slopes (generally exceeding 8/12 pitch) snow may avalanche over snow guard and snow fence systems.

Rocky Mountain will not be responsible for performance of a system installed without a Rocky Mountain prepared job specific snow retention plan, nor will Rocky Mountain be responsible for the performance of a system that does not follow the supplied Rocky Mountain prepared job specific snow retention plan.





Terms & Conditions of Sale:

- 1. Payment.** Payment is required up front for any buyers not yet set up with a credit account through Rocky Mountain Snow Guards, Inc.. Payment accepted in the form of check, cash, or credit card. For buyers set up as credit holders through Rocky Mountain Snow Guards, Inc., payment is due in net terms as described on invoice. If amount is past due and collection efforts are required, Buyer is responsible for all incurred costs associated with collections. Seller may require that delinquent buyer provide up to a 75% up front deposit on all future orders if delinquency is frequent or severe, after payment is received on delinquent account. Seller has right to refuse sale to anyone it deems a credit risk and can withdraw credit when products necessary at the sellers sole discretion.
- 2. Returns.** Stock products- This includes only products which are regularly stocked by RMSG and are in stock colors (does NOT include custom and/or special order). Products may be returned in complete sets within 90 days of purchase for credit or a refund check. **Products must be returned in resalable condition, including packing material. A 20% restock fee will be assessed at time of refund, once return is approved by RMSG.**
- 3. Shipping.** Products will be shipped in most cost effective way to buyer. All shipping cost, including freight re-consignment fees will be billed to buyer at actual cost. Risk of loss shall pass to the buyer upon delivery to the carrier. Seller is not responsible for any delays in delivery caused by carrier. Missing or damaged items must be reported within 48 hours of receipt of delivery.
- 4. Governing law and Jurisdiction.** This agreement shall be governed by and construed in accordance with Colorado Law. Any disputes shall be resolved in the court of law of Denver County, Colorado. Buyer submits to personal jurisdiction in Colorado, and agrees that Colorado court will have exclusive jurisdiction over disputed manner and terms laid forth in this document between buyer and seller constitute the sole contract.

Terms & Conditions of Layout & Design:

By accepting and signing the quote and layout provided to you by Rocky Mountain Snow Guards, Inc., you are aware that the installation and function of the snow retention system is the responsibility of the snow retention installer. Rocky Mountain Snow Guards, Inc. provides engineered layouts and designs based on the specific project factors as presented to the design team. RMSG is not responsible for system failure in the event the information provided does not accurately reflect the job conditions.

**This includes:**

1. Errors in measurement of particular roof sections including- roof pitch, eave length, roof support structure spacing, and rafter length.
2. Unknown and unrepresented factors including the presence of roof areas that directly impact a protected section or the presence of foreign roof objects such as solar panels.

Rocky Mountain Snow Guards, Inc. can only design a system based on the project factors presented and will not conduct physical site visits in the majority of situations. It is strongly recommended that you provide your design professional at Rocky Mountain Snow Guards, Inc. with all available project information and obtain accurate additional information pertaining to the building and roof layout, roofing material, roof sub-structure, and/or environmental concerns as requested by Rocky Mountain Snow Guards, Inc.

Rocky Mountain Snow Guards, Inc. 50 Year Warranty

Rocky Mountain Snow Guards, Inc. (RMSG) manufactures and distributes only the highest grade of snow retention devices. Our products are designed to withstand the harshest elements and perform for the lifetime of the roof without damage or structural deterioration. RMSG warrants our metal snow retention products for 50 years from date of purchase against defects in material and workmanship, including rust or other degradation of the metal itself which results in structural product failure. This warranty is not extended to the installation of the product (including labor), or other materials used in installation process. Coatings applied to snow guards are not covered against deterioration although RMSG uses only the highest grade of exterior coatings on its products. When installed in accordance with our installation instructions and job specific snow retention plan, RMSG products are warranted against damage from snow and ice movement on the roof. RMSG products are not warranted against damage from rooftop traffic, roof maintenance, or other acts of God, including, but not limited to wind and hail. Under this warranty, RMSG will replace RMSG products determined to be defective or damaged by rooftop snow and ice when installed in accordance with RMSG installation instructions and a job specific layout diagram. Labor to remove and replace damaged snow guards is not covered. Labor and materials to repair or replace roofing or other damaged building components is specifically excluded from this warranty.

Rocky Mountain Snow Guards, Inc. will not be responsible for any damages (life or property) greater than the original purchase price of the Rocky Mountain Snow Guards, Inc. products used on the project. Snow guard layouts provided by Rocky Mountain Snow Guards, Inc. are intended to limit the probability of catastrophic releases of snow and ice from the roof surface above the lowest point of snow retention. Ice and snow that accumulates on the roof below the snow retention layout is not part of the Rocky Mountain Snow Guards snow retention system and is not intended to be held in place by the Rocky Mountain Snow Guards, Inc. snow retention layout. In addition, certain conditions may exist where snow works it's way past Rocky Mountain Snow Guards, Inc. devices and falls off the roof even when devices are installed in accordance with a job specific snow retention plan. These conditions may include slushy-wet snows, snow accumulation in excess of design and load criteria and snow slides off of steeper slopes where snow slides over the top of the snow retention devices. In addition, Rocky Mountain Snow Guards cannot design an effective snow retention system on lower roof areas where upper roof areas do not have adequate snow retention.

**To file a warranty claim, please call- 1-877-414-7606 or to register your project, email [info@rockymountainsnowguards.com](mailto:info@rockymountainsnowguards.com)**

# QUOTE APPROVAL

## Reviewed & Accepted

Signature: \_\_\_\_\_

By electronically signing, you are agreeing to purchase this order through RMSG.  
To download a copy, please click Download PDF under the Options menu.



Rocky Mountain  
Snow Guards Inc

4231 S. Natches Ct., Unit C, Englewood, CO 80110

(877) 414-7606

[www.RockyMountainSnowGuards.com](http://www.RockyMountainSnowGuards.com)