



# Rocky Mountain Snow Guards Inc

ROCKY MOUNTAIN SNOW GUARDS  
4231 S. NATCHES COURT, UNIT C  
ENGLEWOOD, CO 80110  
PHONE: (877) 414-7606  
FAX: (720) 387-8361  
[www.rockymountainsnowguards.com](http://www.rockymountainsnowguards.com)

## ST-TILE BARB SNOW GUARD SYSTEM

### AVAILABLE MATERIALS:

- COPPER
- PAINTED ALUMINUM



### INFORMATION:

- Classic Low Profile Design
- Unique barb allows for attachment to existing tile roofs with just minor lifts of tiles above.
- Pad area is 2.34 square inches
- Overall length is 11", Strap length is 8.62"
- Excellent Choice for:
  - Existing tile roofs installed with or without batten systems

### EXAMPLE:





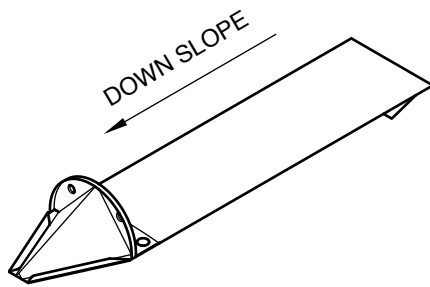
# Rocky Mountain Snow Guards Inc

ROCKY MOUNTAIN SNOW GUARDS  
4231 S. NATCHES COURT, UNIT C  
ENGLEWOOD, CO 80110  
PHONE: (877) 414-7606  
FAX: (720) 387-8361  
www.rockymountainsnowguards.com

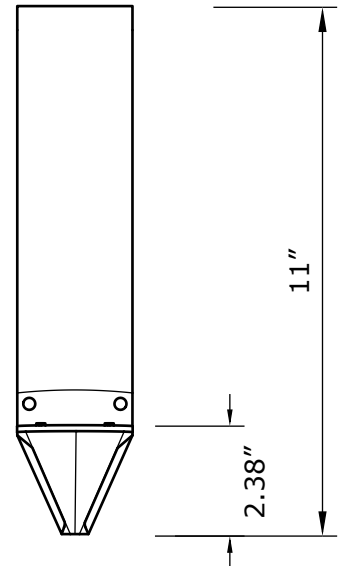
## ST-TILE BARB

SELECT DESIRED MATERIAL:

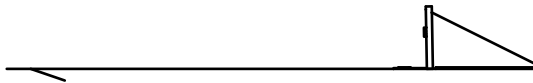
- COPPER - 16 OZ
- PAINTED ALUMINUM - 0.032"



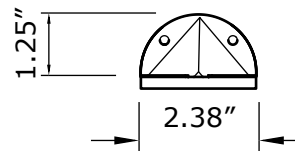
ISOMETRIC VIEW



TOP VIEW



SIDE VIEW



FRONT VIEW

### MANUFACTURER NOTES:

1. CONTACT MANUFACTURER FOR SPECIFIED LAYOUT PATTERN.
2. FOR CUSTOM MATERIALS CONTACT MANUFACTURER.
3. OTHER SIZES ARE AVAILABLE ON A CUSTOM BASIS.

### NOTES:

1. INSTALLATION TO BE COMPLETED IN ACCORDANCE WITH MANUFACTURER'S SPECIFICATIONS.
2. DO NOT SCALE DRAWING.

ST-TILE BARB SNOW GUARD



# Rocky Mountain Snow Guards Inc

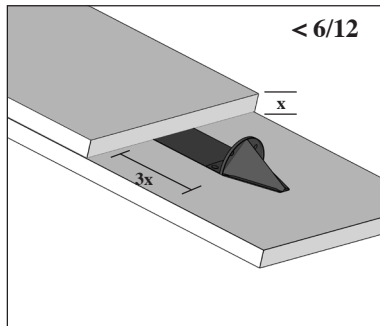
ROCKY MOUNTAIN SNOW GUARDS  
4231 S. NATCHES COURT, UNIT C  
ENGLEWOOD, CO 80110  
PHONE: (877) 414-7606  
FAX: (720) 387-8361  
www.rockymountainsnowguards.com

## INSTALLATION INSTRUCTIONS

### SNOW GUARD PLACEMENT FOR SHINGLE STYLE ROOFS (Asphalt Shingle, Tile, Slate, Synthetics, Metal Shingle)

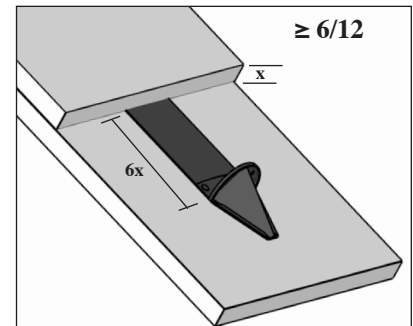
#### Less than a 6/12 Pitch

For roofs less than 6/12 pitch, the distance between the butt end and the pad face must be a minimum of  $3x$  the thickness of the roofing material.

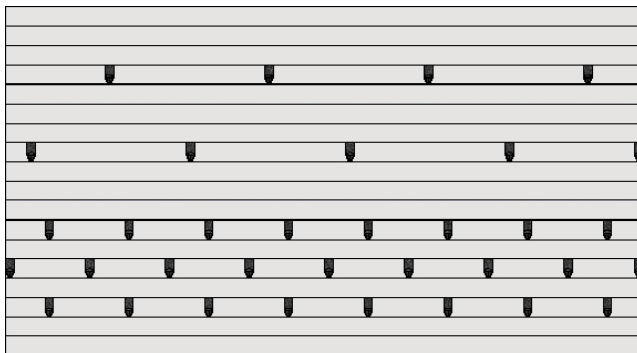


#### Greater than or equal to 6/12 Pitch

For roofs greater than 6/12 pitch, the distance between the butt end and the pad face must be a minimum of  $6x$  the thickness of the roofing material.



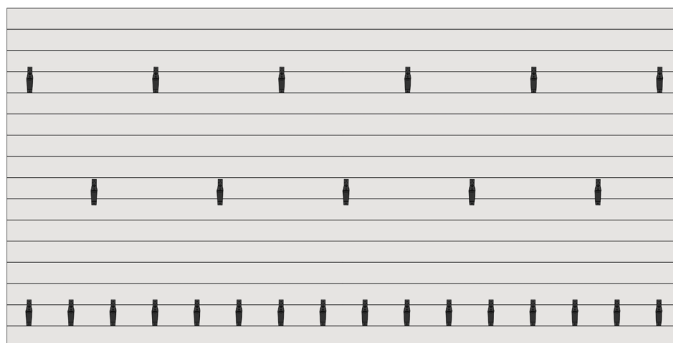
### EXAMPLE PATTERNS: (Specified pattern and dimensions are dependent on individual roof characteristics.)



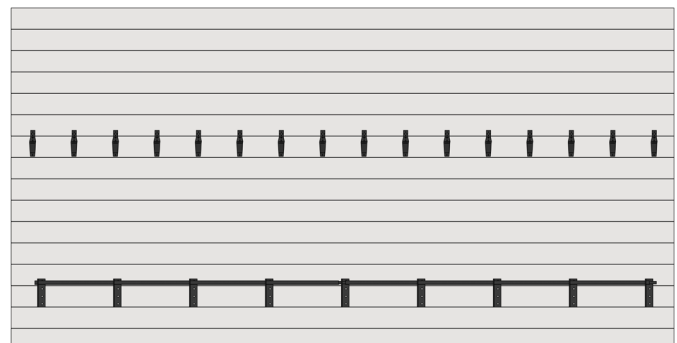
TRADITIONAL SPREAD PATTERN



MULTIPLE SOLDIER ROW



SOLDIER ROW WITH SPREAD PATTERN



SNOW FENCE WITH SOLDIER ROW



# Rocky Mountain Snow Guards Inc

ROCKY MOUNTAIN SNOW GUARDS  
4231 S. NATCHES COURT, UNIT C  
ENGLEWOOD, CO 80110  
PHONE: (877) 414-7606  
FAX: (720) 387-8361  
[www.rockymountainsnowguards.com](http://www.rockymountainsnowguards.com)

## INSTALLATION INSTRUCTIONS CONTINUED

### NEW ROOF

1. Follow recommended layout pattern for specific roof and snow situation following the Rocky Mountain Snow Guard Layout Guide.
2. Mark location of each snow guard.
3. Apply a nickel size dollop 6" from the top of tile at the mark.
4. Place the snow guard such that the barb is pressed against the top of the tile.
5. Continue shingling roof.



### EXISTING ROOF

1. Follow recommended layout pattern for specific roof and snow situation following the Rocky Mountain Snow Guard Layout Guide.
2. Mark location of each snow guard and apply appropriate sealant to shingle where fasteners will penetrate.
3. Apply a nickel size dollop 6" from the top of tile at the mark.
4. Lift tile above just enough to slide new snow guard under.
5. Slide snow guard up so barb passes top of tile.
6. Pull down on the snow guard to ensure barb is engaged.



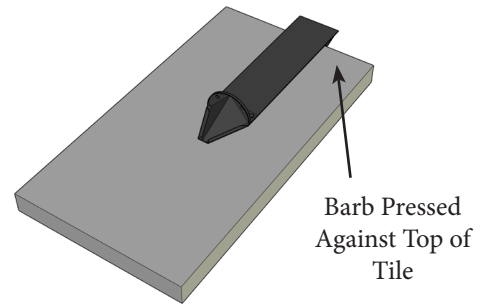
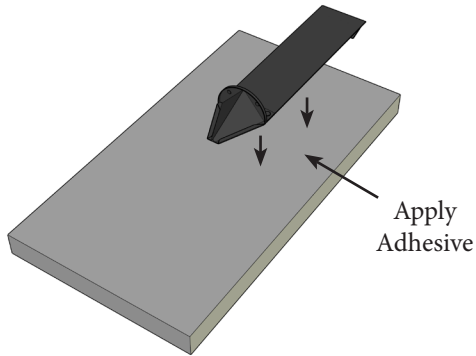


# Rocky Mountain Snow Guards Inc

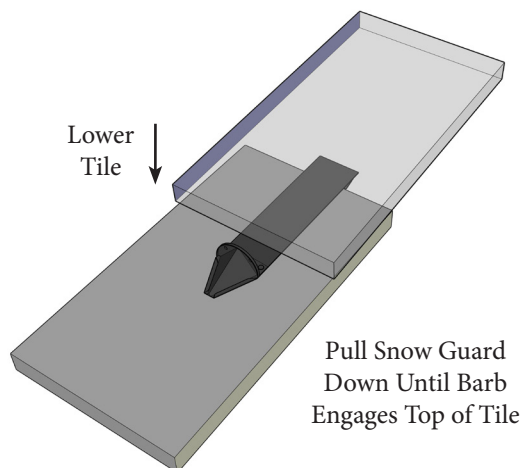
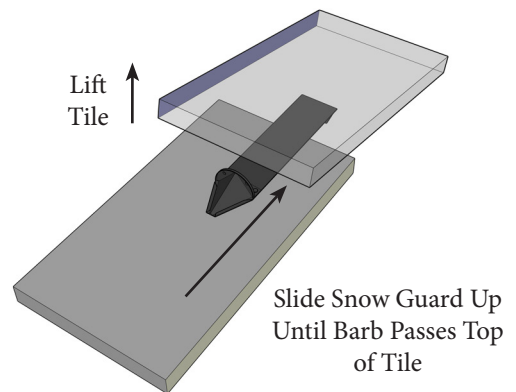
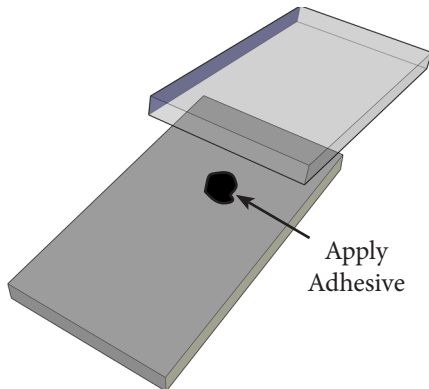
ROCKY MOUNTAIN SNOW GUARDS  
4231 S. NATCHES COURT, UNIT C  
ENGLEWOOD, CO 80110  
PHONE: (877) 414-7606  
FAX: (720) 387-8361  
www.rockymountainsnowguards.com

## ST-TILE BARB

### NEW ROOF



### EXISTING ROOF



# ST-TILE BARB Snow Guard Specification Sheet

For new and existing tile roof systems

## **PART 1 - GENERAL**

### 1.1 SUMMARY

#### A. WORK INCLUDES

1. ST-TILE BARB snow guard attaches to previously installed tile.
2. Adhesive/sealant to prevent lateral movement of snow guard post-installation.

#### B. RELATED SECTIONS

1. Section 07600: Flashings and Sheet Metal
2. Section 07310: Shingles
3. Section 07320: Roofing Tiles
4. Division 7: Thermal and Moisture Protection

### 1.2 SYSTEM DESCRIPTION

#### A. COMPONENTS

1. ST-TILE BARB snow guard system consists of individual metal snow guards
2. Sealant / Adhesive
  - a. To be approved by the roofing material manufacturer

#### B. DESIGN REQUIREMENTS

1. Spacing to be recommended by manufacturer or building engineer.
2. It is important to design new structures or assess existing structures to make sure they can withstand retained snow loads.

### 1.3 SUBMITTAL

- #### A.
- Submit manufacturer's specifications, standard detail drawings, recommended layout and installation instructions.

### 1.4 QUALITY ASSURANCE

- #### A.
- Installer to be experienced in the installation of specified roofing material and snow guards for not less than 5 years in the area of the project.

### 1.5 DELIVERY / STORAGE / HANDLING

- #### A.
- Inspect material upon delivery and order replacements for any missing or defective items. Keep material dry, covered and off the ground until installed.

## **PART 2 - PRODUCTS**

### 2.1 MANUFACTURER

- #### A.
- Rocky Mountain Snow Guards, Inc. 4231 S. Natches Court, Unit C, Englewood, CO 80110  
(877) 414-7606 / [www.rockymountainsnowguards.com](http://www.rockymountainsnowguards.com)

2.2 MATERIALS

- A. Copper – all snow guard components are 16 oz. copper.
- B. Aluminum – All snow guard components are .032 Aluminum

2.3 FINISH

- A. Mill Finish
- B. Kynar 500 pre finished sheet – Aluminum only.
- C. Powder Coated, exterior grade powder only.

**PART 3 – EXECUTION**

3.1 EXAMINATION

- A. Substrate
  - 1. Inspect structure to verify that roofing structure will withstand additional retained snow loads. Notify owner or general contractor of any deficiencies before installing snow guards.
  - 2. Verify that roofing material has been installed properly prior to installing snow guards.

3.2 INSTALLATION

- A. Comply with architectural drawings for location and with Manufacturer's instructions for installation and layout.

07 72 53 Snow Guards



# Rocky Mountain Snow Guards Inc

ROCKY MOUNTAIN SNOW GUARDS  
4231 S. NATCHES COURT, UNIT C  
ENGLEWOOD, CO 80110  
PHONE: (877) 414-7606  
FAX: (720) 387-8361  
[www.rockymountainsnowguards.com](http://www.rockymountainsnowguards.com)

## Rocky Mountain Snow Guards Snow Retention System Maintenance Guide

Systems designed by Rocky Mountain Snow Guards, installed properly should last the life of the roof. Rocky Mountain does not recommend adhesive tape or sealant attachment for any snow fence or snow guard system. Rocky Mountain snow retention systems installed on commercial buildings, above high traffic areas or in areas with high snow loads should be inspected by a qualified roofing or snow retention professional on an annual basis to ensure the system will continue to perform as designed.

### Bolt Down Snow Fence Systems:

1. Inspect brackets, snow fence components and fasteners for evidence of damage.
2. Replace damaged parts prior to the next snow season.

### Clamp to Seam Snow Fence and Snow Bar Systems:

1. Inspect brackets, snow fence and snow bar components for evidence of damage.
2. Replace damaged parts prior to the next snow season.
3. Check torque on set screws with an appropriate torque wrench.
4. Torque set screws to recommended torque. This is especially important after the 1st snow season.

### Snow Guards:

1. Inspect snow guards for evidence of damage.
2. Inspect exposed fasteners.
3. Replace damaged parts prior to the next snow season.