

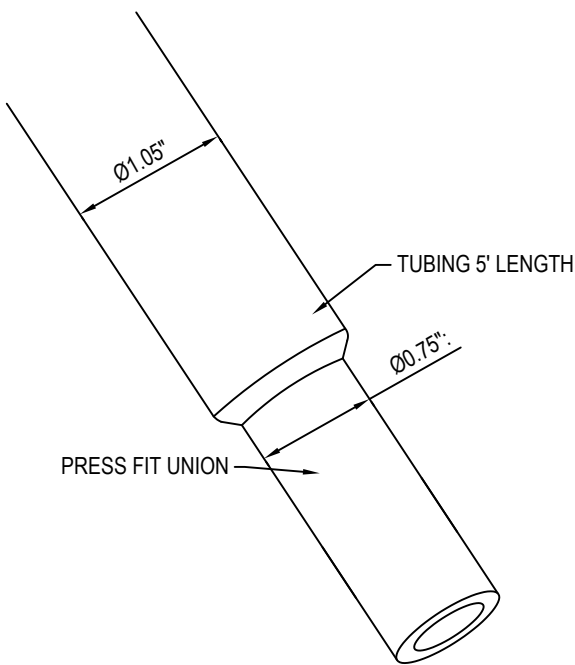


# Rocky Mountain Snow Guards Inc

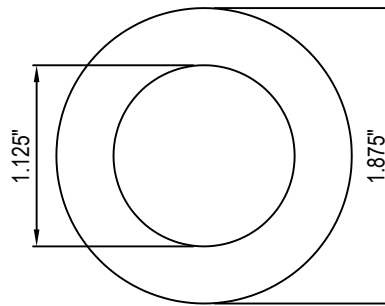
ROCKY MOUNTAIN SNOW GUARDS  
4231 S. NATCHES COURT, UNIT C  
ENGLEWOOD, CO 80110  
PHONE: (877) 414-7606  
FAX: (720) 387-8361  
www.rockymountainsnowguards.com

SELECT DESIRED MATERIAL:

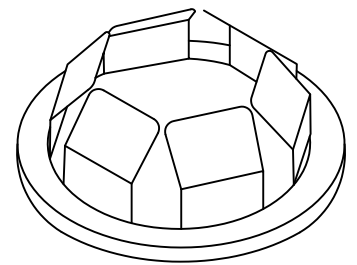
- RAW STEEL
- ZINC COATED STEEL
- POWDER COATED STEEL



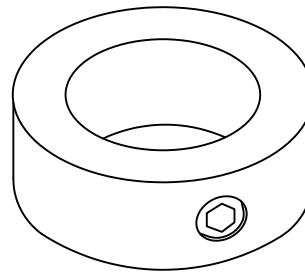
PERSPECTIVE



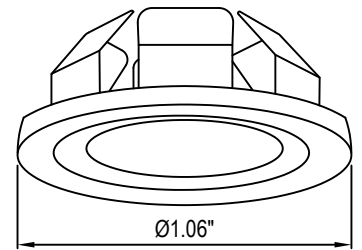
TOP VIEW  
END COLLAR



TOP PERSPECTIVE  
END CAP



PERSPECTIVE  
END COLLAR



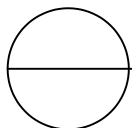
BOTTOM PERSPECTIVE  
END CAP

**MANUFACTURER NOTES:**

1. CONTACT MANUFACTURER FOR SELECTED LAYOUT.
2. FOR CUSTOM MATERIALS CONTACT MANUFACTURER.
3. OTHER SIZES ARE AVAILABLE ON A CUSTOM BASIS.

**NOTES:**

1. INSTALLATION TO BE COMPLETED IN ACCORDANCE WITH MANUFACTURER'S SPECIFICATIONS.
2. DO NOT SCALE DRAWING.
3. THIS DRAWING IS INTENDED FOR USE BY ARCHITECTS, ENGINEERS, CONTRACTORS, CONSULTANTS AND DESIGN PROFESSIONALS FOR PLANNING PURPOSES ONLY. THIS DRAWING MAY NOT BE USED FOR CONSTRUCTION.
4. ALL INFORMATION CONTAINED HEREIN WAS CURRENT AT THE TIME OF DEVELOPMENT BUT MUST BE REVIEWED AND APPROVED BY THE PRODUCT MANUFACTURER TO BE CONSIDERED ACCURATE.
5. CONTRACTOR'S NOTE: FOR PRODUCT AND COMPANY INFORMATION VISIT [www.CADdetails.com/info](http://www.CADdetails.com/info) AND ENTER REFERENCE NUMBER 5281-007



## SNOW FENCE SYSTEM COMPONENTS

STEEL TUBING, COLLAR AND CAPS