

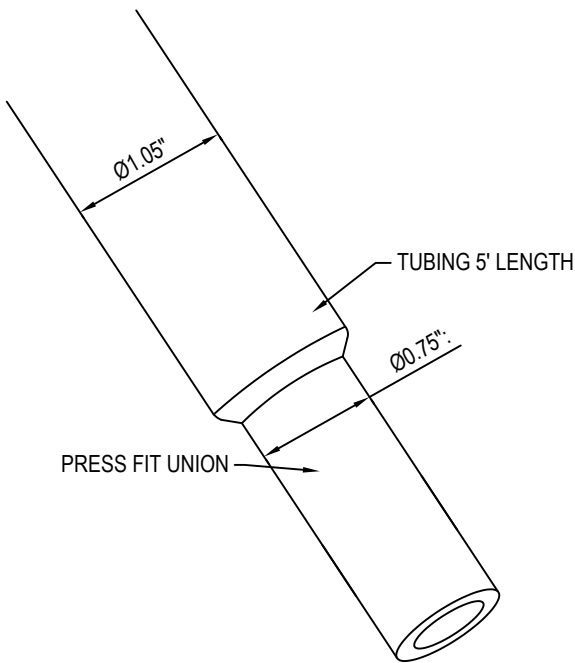


Rocky Mountain Snow Guards Inc

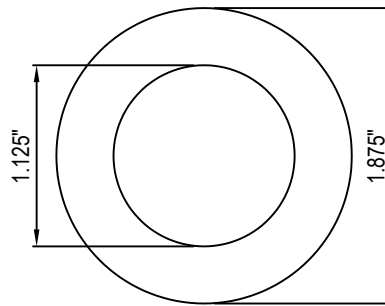
ROCKY MOUNTAIN SNOW GUARDS
4231 S. NATCHES COURT, UNIT C
ENGLEWOOD, CO 80110
PHONE: (877) 414-7606
FAX: (720) 387-8361
www.rockymountainsnowguards.com

SELECT DESIRED MATERIAL:

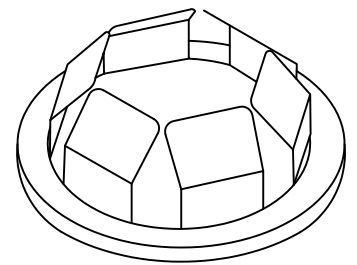
- RAW STEEL
- ZINC COATED STEEL
- POWDER COATED STEEL



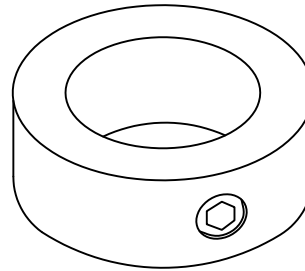
PERSPECTIVE



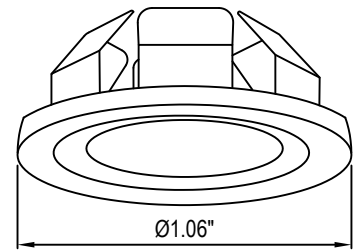
TOP VIEW
END COLLAR



TOP PERSPECTIVE
END CAP



PERSPECTIVE
END COLLAR



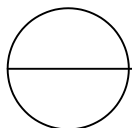
BOTTOM PERSPECTIVE
END CAP

MANUFACTURER NOTES:

1. CONTACT MANUFACTURER FOR SELECTED LAYOUT.
2. FOR CUSTOM MATERIALS CONTACT MANUFACTURER.
3. OTHER SIZES ARE AVAILABLE ON A CUSTOM BASIS.

NOTES:

1. INSTALLATION TO BE COMPLETED IN ACCORDANCE WITH MANUFACTURER'S SPECIFICATIONS.
2. DO NOT SCALE DRAWING.
3. THIS DRAWING IS INTENDED FOR USE BY ARCHITECTS, ENGINEERS, CONTRACTORS, CONSULTANTS AND DESIGN PROFESSIONALS FOR PLANNING PURPOSES ONLY. THIS DRAWING MAY NOT BE USED FOR CONSTRUCTION.
4. ALL INFORMATION CONTAINED HEREIN WAS CURRENT AT THE TIME OF DEVELOPMENT BUT MUST BE REVIEWED AND APPROVED BY THE PRODUCT MANUFACTURER TO BE CONSIDERED ACCURATE.
5. CONTRACTOR'S NOTE: FOR PRODUCT AND COMPANY INFORMATION VISIT www.CADdetails.com/info AND ENTER REFERENCE NUMBER 5281-007



SNOW FENCE SYSTEM COMPONENTS

STEEL TUBING, COLLAR AND CAPS