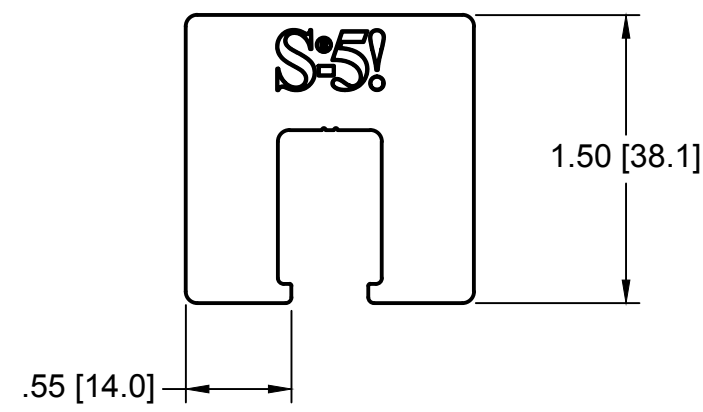
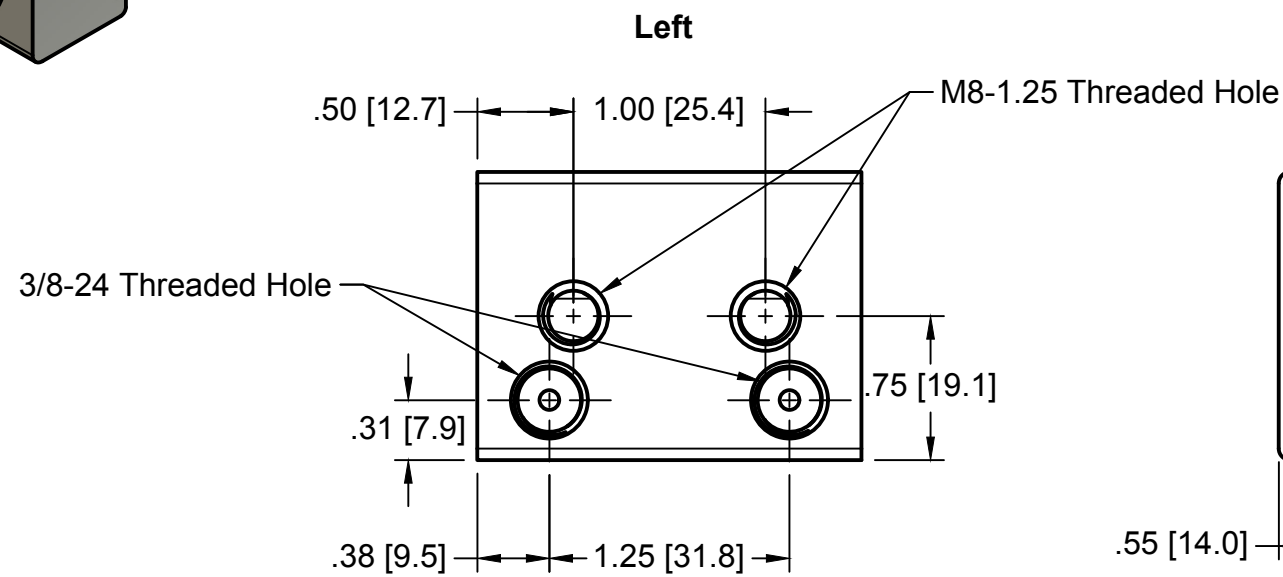
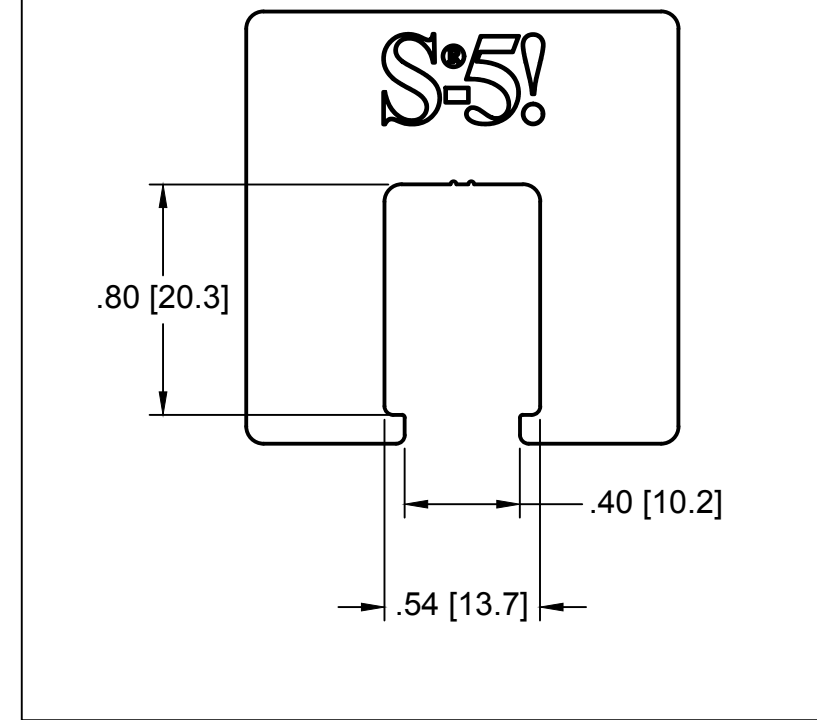
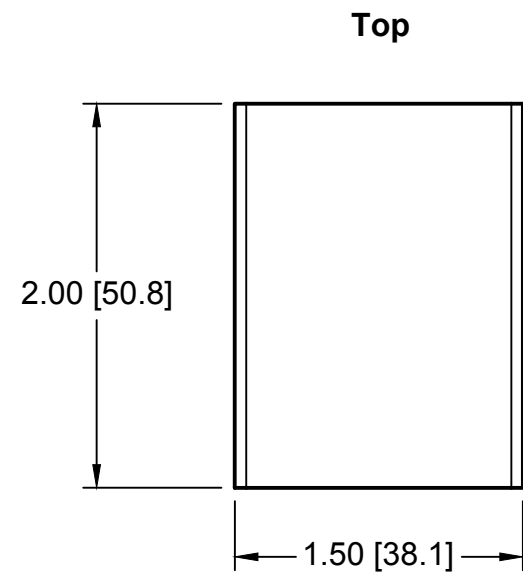
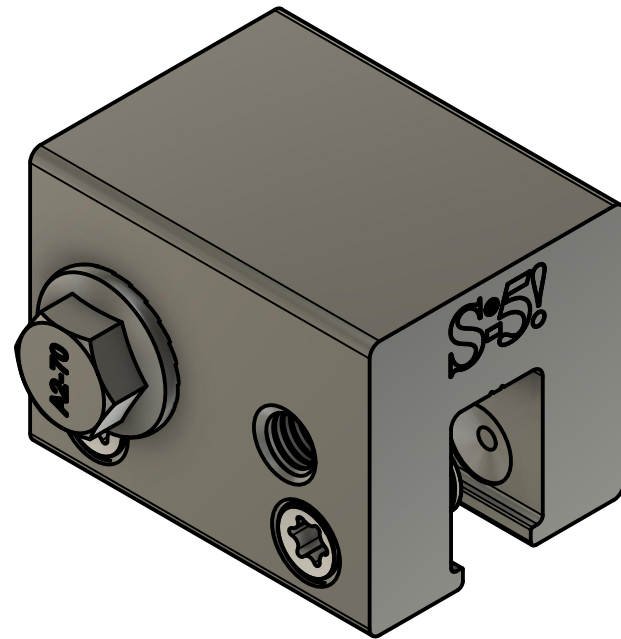
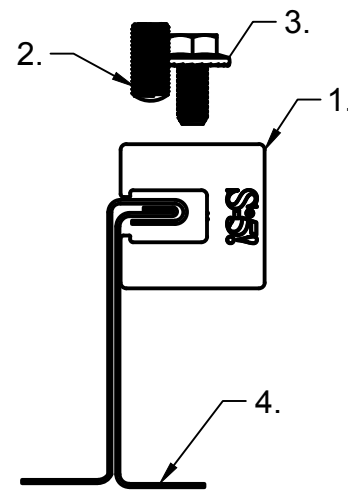


# S-5-H90



## General Notes:

1. S-5-H90
2. 0.9" 3/8-24 T30 Drive SetScrew
3. M8-1.25 16 mm Bolt
4. Example roof



MATERIAL: 6000 Series AL		METAL ROOF INNOVATIONS, LTD.	
EST ASSEMBLY WT: 0.371 lbs		8750 WALKER RD COLORADO SPRINGS, CO 80908 719-495-0518 719-495-0045 (FAX)	
HARDWARE: 1/2" 3/8-24 T30 Drive SetScrew, M8-1.25 16 mm Bolt	TITLE S-5-H90 [CCD]	DRAWING NO. U11-B-14-D	DRAWN BY SNLR
	SCALE 1:2	FILE NAME U11-B-14-D (S-5-H90) [CCD]	DATE 3/7/2022
S-5!® PRODUCTS ARE PROTECTED BY MULTIPLE U.S. AND FOREIGN PATENTS. VISIT OUR WEBSITE AT WWW.S-5.COM FOR COMPLETE INFORMATION ON PATENTS AND TRADEMARKS			