

S-5![®]

The Right Way![®]

S-5-H Clamp

The S-5-H clamp was specifically developed to securely and cost-effectively accommodate metal roof panels with a horizontal seam. The S-5-H is unique in that it allows for attachment to a horizontal seam on the vertical leg of the seam.

The clamp's two-piece design allows it to be installed anywhere along the length of the rib, making installation fast and easy! Just place the clamp on the seam, slide the insert piece into place, and tighten the setscrews. Go to www.S-5.com/tools for information about properly attaching S-5![®] clamps.

After the clamp is installed, affix ancillary items using the top stainless steel bolt provided. The S-5-H is perfect for use with S-5! ColorGard[®] snow retention system and other heavy-duty applications.

S-5-H Mini Clamp

The S-5-H Mini is a bit shorter than the S-5-H and has one setscrew rather than two. The mini is the choice for attaching all kinds of rooftop accessories: signs, walkways, satellite dishes, antennas, rooftop lighting, lightning protection systems, solar arrays, exhaust stack bracing, conduit, condensate lines, mechanical equipment—just about anything!*

*S-5! mini clamps are not compatible with, and should not be used with, S-5! SnoRail™/SnoFence™ or ColorGard[®] snow retention systems.



The S-5-H clamp was specifically developed to accommodate standing seam panels with horizontal seams.

The right way to attach almost anything to metal roofs!

S-5-H and S-5-H Mini



888-825-3432 | www.S-5.com |

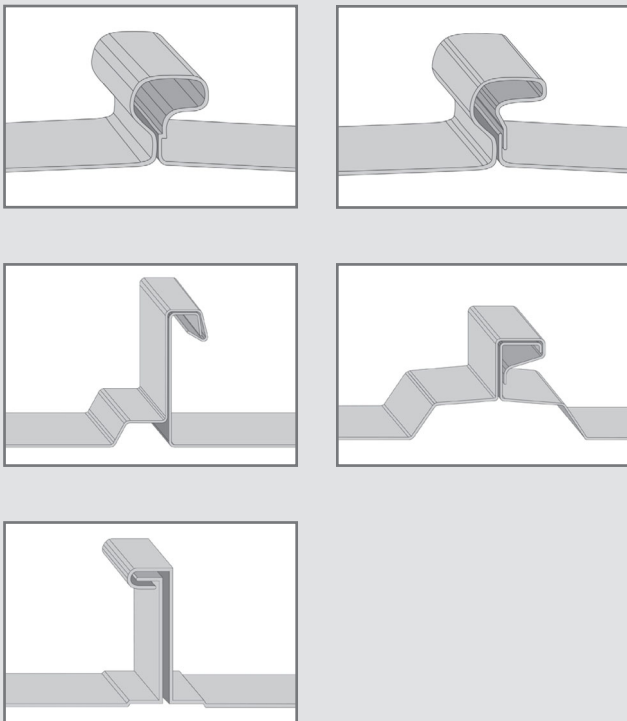


The strength of the S-5-H clamp is in its simple design. The patented setscrews will slightly dimple the metal seam material but will not puncture it—leaving roof manufacturers' warranties intact.

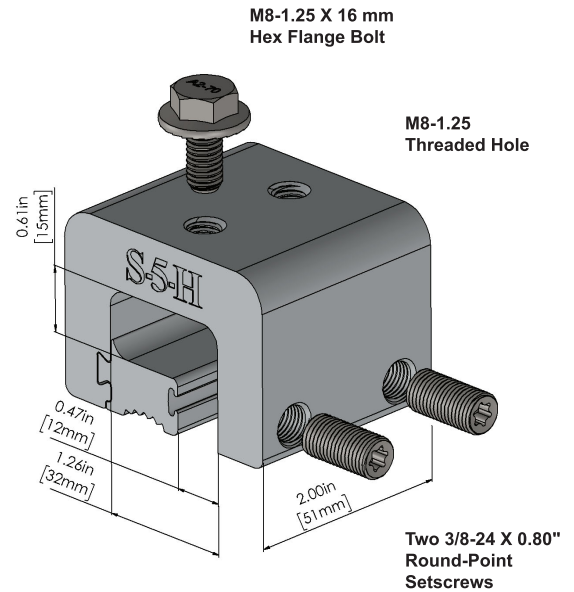
The **S-5-H and S-5-H Mini clamps** are each furnished with the hardware shown to the right. Each box also includes a bit tip for tightening setscrews using an electric screw gun. The structural aluminum attachment clamp is compatible with most common metal roofing materials excluding copper. All included hardware is stainless steel. Please visit www.S-5.com for more information including CAD details, metallurgical compatibilities, and specifications.

The S-5-H clamp has been tested for load-to-failure results on a variety of horizontal standing seam roof profiles from leading panel manufacturers. The independent lab test reports found on our website at www.S-5.com prove that S-5!® holding strength is unmatched in the industry.

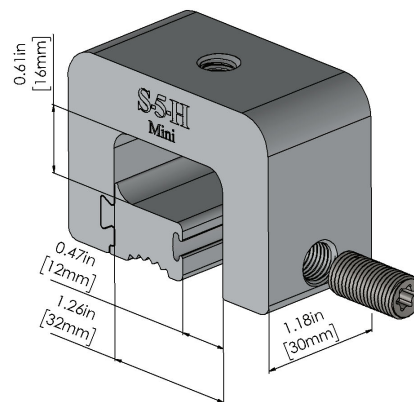
Example Profiles



S-5-H



S-5-H Mini



S-5!® Warning! Please use this product responsibly!

Products are protected by multiple U.S. and foreign patents. Visit the website at www.S-5.com for complete information on patents and trademarks. Consult the S-5! website at www.S-5.com for published data regarding installation instructions and holding strength.

Copyright 2021, Metal Roof Innovations, Ltd. S-5! products are patent protected. S-5! aggressively protects its patents, trademarks, and copyrights. Version 081321.

Distributed by



**Rocky Mountain
Snow Guards Inc**

4231 S. Natches Court, Unit C, Englewood, CO 80110
(877) 414-7606 / www.rockymountainsnowguards.com